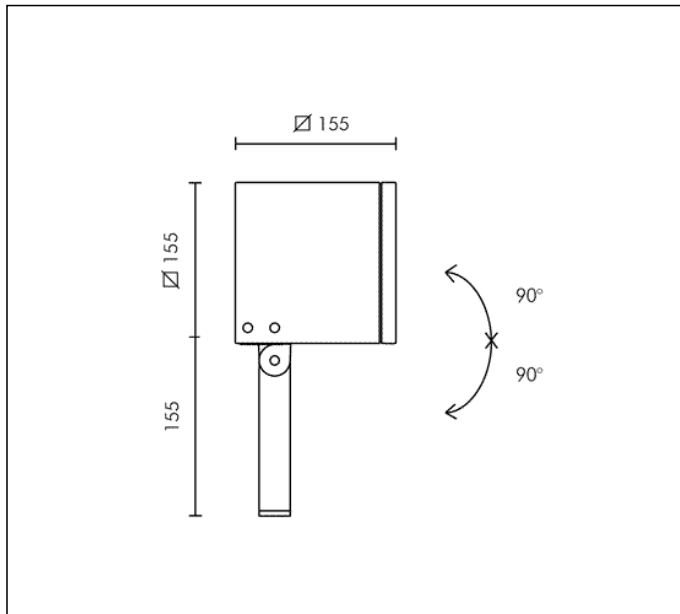
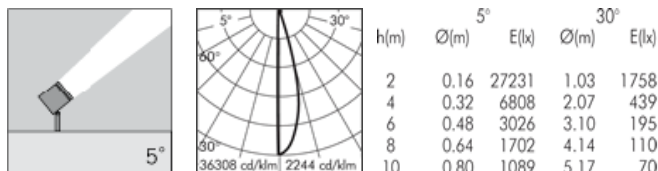


TECHNICAL DATA SHEET ART. S.6694 - LOFT SPOT

Available until 31/12/2017 but subject to stock levels



HIT-TC CE 35W CLEAR PGJ5 3000lm
 Rated luminaire luminous flux: 2190lm
 Rated input power: 46W
 Luminaire efficacy: 48lm/W (LOR: 73%)
 Electronic ballast 230V 50/60Hz
 EEI=A2, LOSSES=6W



CE IP 65

PRODUCT TYPE

Projector. IP rating IP 65

MATERIAL CHARACTERISTICS

Aluminium die cast housing in EN AB-47100 (low copper content) with high resistance against corrosion. Stone wash surface treatment prior to painting process. A4 grade Stainless Steel screws with 2,5-3% molybdenum content which increases the resistance against corrosion. Silicone gaskets. Painting Process : 3 Step Process

1) Surface treatment with BONDERITE. A heavy metal free chemical surface treatment containing ceramic nano particles giving a cohesive, inorganic and highly dense protective coating. 2) PRE POLYMERIZATION a process of introducing an epoxy primer with excellent characteristics to the paint which also offers very high resistance to oxidation due to its Zinc content. 3) POLYMERIZATION a process with the application of polyester powder with high resistance against UV rays and harsh weather conditions. Resistance test protection for Marine applications for 1200h. Mechanical resistance IK 06

LIGHTING PERFORMANCE

Reflector in 99.98% pure anodized aluminium (with HIT lamp version) . Clear toughened glass. LOR 73%

INSTALLATION AND MAINTENANCE

The tempered front glass diffuser is fixed externally to the fitting through silicon resin, perfectly flush with the front ring. Water and dirt deposits that can disturb the lighting performance of the projector can easily flow away. The pre-wired connecting wall plaquette and its fast connector make the installation and maintenance process quick, easy and safe.

WIRING

Single cable entry . Isolation: CLASS I . Available colours: White (cod.01), Aluminium grey (cod.14). Weight: 3.1 Kg Glow Wire test: --

Lamp not included.

LOFT REGISTERED DESIGN

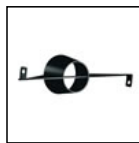
This luminaire is compatible with bulbs of the energy classes: A+ (Regulation UE 874/2012).

TECHNICAL DATA SHEET ART. S.6694 - LOFT SPOT ACCESSORIES



S.6600
ANTIGLARE SHIELD
For 5° reflector.

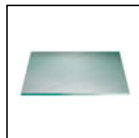
Available until 31/12/2017 but subject to stock levels



S.6601
ANTIGLARE SHIELD
For 30° reflector.



S.6605
EXTENSIVE LENS



S.6639
ELLIPSOIDAL BEAM LENS



S.1004
STAKE

In POLYPROPYLENE. Colour: black (code .09).The 100 mm upper part must stay above ground level, according to the norm.

Further information

FIXING BASE

