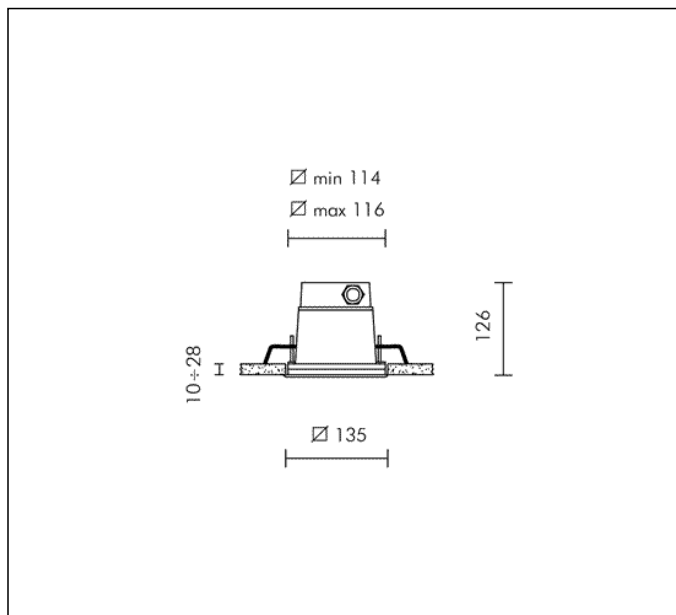
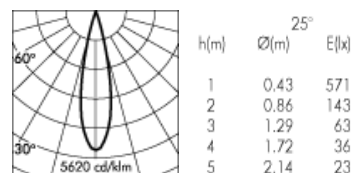


TECHNICAL DATA SHEET ART. S.5896.19 - MINIZIP DOWNLIGHT SQUARE

Available until 31/12/2017 but subject to stock levels



3 MODULES LED RGB 24V PWM
 Rated luminaire luminous flux: 102lm
 Rated input power: 5W
 Luminaire efficacy: 20lm/W
 Without transformer



* Photometric measured using COLD WHITE LED 6650K



PRODUCT TYPE

False ceiling-recessed down-light fitting. Recessing depth 126 mm. IP rating IP 65

MATERIAL CHARACTERISTICS

"Copper Free" Aluminium die cast housing in EN AB-44100 with high resistance against corrosion. Stone wash surface treatment prior to painting process. 2 mm thick front trim in Stainless Steel - Grade AISI 316L with 2,5-3% molybdenum content. A4 grade Stainless Steel screws with 2,5-3% molybdenum content which increases the resistance against corrosion. Pre treated Silicone Gaskets. Painting Process : 3 Step Process

1) Surface treatment with BONDERITE. A heavy metal free chemical surface treatment containing ceramic nano particles giving a cohesive, inorganic and highly dense protective coating. 2) PRE POLYMERIZATION a process of introducing an epoxy primer with excellent characteristics to the paint which also offers very high resistance to oxidation due to its Zinc content. 3) POLYMERIZATION a process with the application of polyester powder with high resistance against UV rays and harsh weather conditions. Resistance test protection for Marine applications for 1200h. Mechanical resistance IK 09

LIGHTING PERFORMANCE

The spectral distribution of the light is intended to change the appearance of the scene or object lit. Not intended for use in other applications. Toughened semiacid-etched glass 8mm thick. Lamp adjustable ±15° position. LOR --

INSTALLATION AND MAINTENANCE

The luminaires are fixed to the false ceiling by a heavy-duty bracket system, adjustable from inside the luminaire. Front re-lamping without removing the complete fitting from the ceiling.

WIRING

Single cable entry with cable gland PG 13.5 (Ø 6÷12 mm) . Isolation: CLASS III . Available colours: Stainless steel (cod.19). Weight: 1.1 Kg Glow Wire test: 850°C
L.E.D circuit included.

This luminaire contains built-in LED modules with energy class: A, A+, A++. In case of damage or malfunction please contact the manufacturer to receive additional instructions on how to replace and relative spare parts to order. The LED modules cannot be handled in the luminaire by the end user (Regulation UE 874/2012).

LED circuit boards are engineered accordingly to actual Lumen Maintenance regulation (LM80) and Technical Memorandum (TM21) where uniformity and quality of light is 50.000 hours referred to L70 B20 Ta 25°C.

Lifecycle refers to LED circuit boards only, all others components of the luminaire are excluded.

TECHNICAL DATA SHEET ART. S.5896.19 - MINIZIP DOWNLIGHT SQUARE ACCESSORIES



S.3411
REMOTE RGBW PWM POWER SUPPLY 50W IP55
50W 240V/24V PWM
 IP55 box with 50W power supply 240V/24V PWM controlled by DMX protocol.
 The Total power of all connected luminaires may not be higher than the power of the driver.
 Dimensions 260mm x260mm x100mm



S.3413
REMOTE RGBW PWM POWER SUPPLY 100W IP55
100W 240V/24V PWM
 IP55 box with 100W power supply 240V/24V PWM controlled by DMX protocol.
 The Total power of all connected luminaires may not be higher than the power of the driver.
 Dimensions 260mm x260mm x100mm



S.5511
SQUARE RECESSED BOX
 For cement ceiling installation.
 Dimensions: 121÷165 mm h 135 mm



S.3493
DMX CONTROLLER SET
 This DMX system includes a controller (A) and a control unit (B).
 The controller has a wall fixed base wired to the control unit.
 With the controller (A) simple sceneries can be programmed and managed.
 The control unit (B) memorizes and runs the light sceneries generated by the controller (A) through a DMX signal. Moreover it can memorize complex light sceneries created with a computer using a professional DMX software.
 IP20



S.3494
REMOTE CONTROL UNIT
 It allows the wireless connection via radio waves between the controller (A) and the control unit (B).
 Hence the controller (A) becomes portable.
 IP20