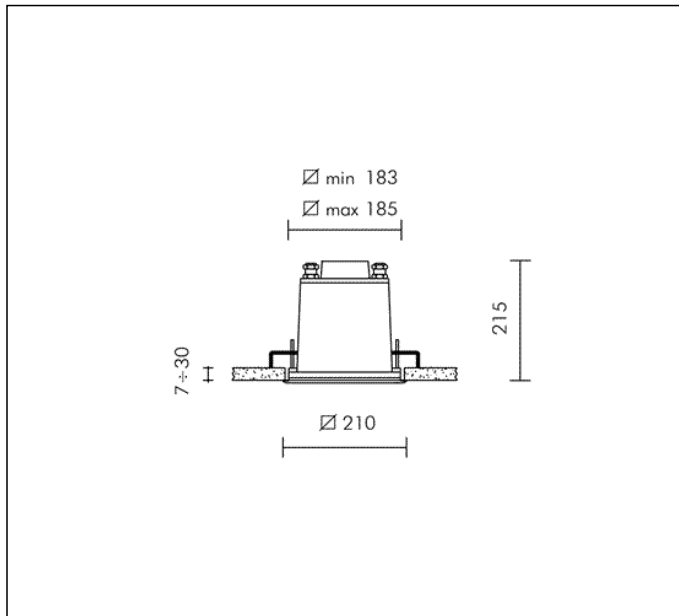
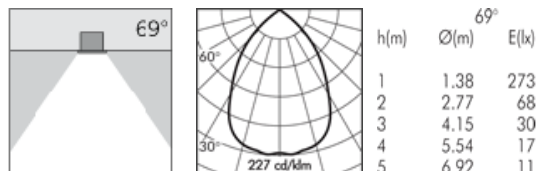


## TECHNICAL DATA SHEET ART. S.5870.19 - ZIP DOWNLIGHT SQUARE

Available until 31/12/2017 but subject to stock levels



TC-T 18W Gx24d-2 1200lm  
 Rated luminaire luminous flux: 456lm  
 Rated input power: 22W  
 Luminaire efficacy: 21lm/W (LOR: 38%)  
 Magnetic transformer 230÷240V 50Hz



### PRODUCT TYPE

False ceiling-recessed down-light fitting. Recessing depth 215 mm. IP rating IP 65

### MATERIAL CHARACTERISTICS

"Copper Free" Aluminium die cast housing in EN AB-44100 with high resistance against corrosion. Stone wash surface treatment prior to painting process. 2 mm thick front trim in Stainless Steel - Grade AISI 316L with 2,5-3% molybdenum content. A4 grade Stainless Steel screws with 2,5-3% molybdenum content which increases the resistance against corrosion. Pre treated Silicone Gaskets. Painting Process : 3 Step Process

1) Surface treatment with BONDERITE. A heavy metal free chemical surface treatment containing ceramic nano particles giving a cohesive, inorganic and highly dense protective coating. 2) PRE POLYMERIZATION a process of introducing an epoxy primer with excellent characteristics to the paint which also offers very high resistance to oxidation due to its Zinc content. 3) POLYMERIZATION a process with the application of polyester powder with high resistance against UV rays and harsh weather conditions. Resistance test protection for Marine applications for 1200h. Mechanical resistance IK 09

### LIGHTING PERFORMANCE

Reflector in 99.98% pure anodized aluminium (with TC and HIT lamp version). Toughened semiacid-etched glass 10mm thick. Lamp fixed position. LOR 38%

### INSTALLATION AND MAINTENANCE

The luminaires are fixed to the falseceiling by a heavy-duty bracket system, adjustable from inside the luminaire. Front re-lamping without removing the complete fitting from the ceiling.

### WIRING

Double cable entry with cable glands PG 13.5 (Ø 6÷12 mm) . Isolation: CLASS I . Available colours: Stainless steel (cod.19). Weight: 3.3 Kg Glow Wire test: 850°C  
**Lamp included.**

**This luminaire is compatible with bulbs of the energy classes: B. The luminaire is sold with a bulb of the energy class: B (Regulation UE 874/2012).**

### EMERGENCY VERSIONS

On request the fittings could be provided with electronic ballast which operate both on AC ( 50/60Hz ), both on DC ( 0Hz ) voltage.

On request fittings are available with external battery capacity of 1 Hour or 3 Hours.

## TECHNICAL DATA SHEET ART. S.5870.19 - ZIP DOWNLIGHT SQUARE ACCESSORIES



### S.5521 CONCRETE CEILING INSTALLATION KIT

Kit :

- \_ steel plate;
- \_ SQUARE RECESSED BOX.

Dimensions: 190x190 mm h 240 mm