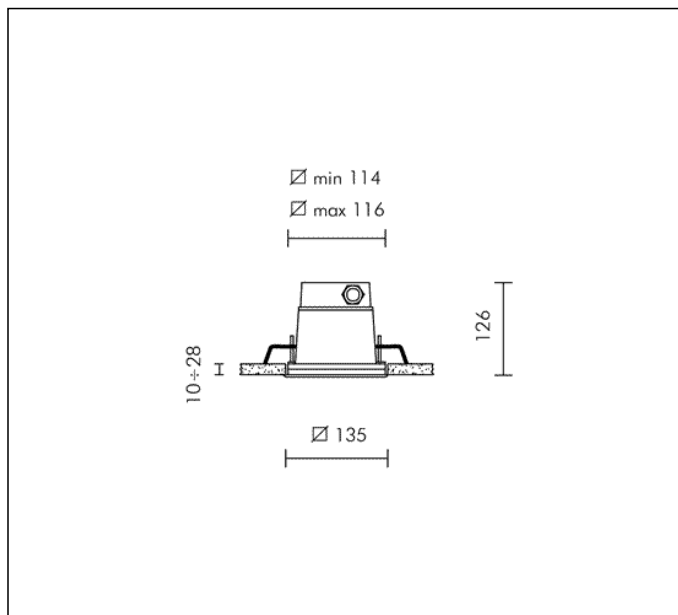
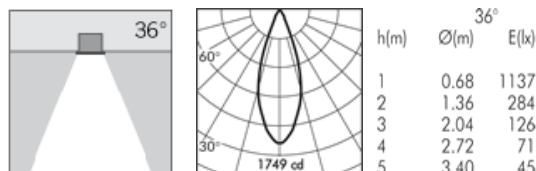


TECHNICAL DATA SHEET ART. S.5862.19 - MINIZIP DOWNLIGHT SQUARE

Available until 31/12/2017 but subject to stock levels



QR-CBC 51 35W GU5,3
 Rated luminaire luminous flux: 442lm
 Rated input power: 35W
 Luminaire efficacy: 13lm/W (LOR: --)
 Without transformer



PRODUCT TYPE

False ceiling-recessed down-light fitting. Recessing depth 126 mm. IP rating IP 65

MATERIAL CHARACTERISTICS

"Copper Free" Aluminium die cast housing in EN AB-44100 with high resistance against corrosion. Stone wash surface treatment prior to painting process. 2 mm thick front trim in Stainless Steel - Grade AISI 316L with 2,5-3% molybdenum content. A4 grade Stainless Steel screws with 2,5-3% molybdenum content which increases the resistance against corrosion. Pre treated Silicone Gaskets. Painting Process : 3 Step Process

1) Surface treatment with BONDERITE. A heavy metal free chemical surface treatment containing ceramic nano particles giving a cohesive, inorganic and highly dense protective coating. 2) PRE POLYMERIZATION a process of introducing an epoxy primer with excellent characteristics to the paint which also offers very high resistance to oxidation due to its Zinc content. 3) POLYMERIZATION a process with the application of polyester powder with high resistance against UV rays and harsh weather conditions. Resistance test protection for Marine applications for 1200h. Mechanical resistance IK 09

LIGHTING PERFORMANCE

Toughened semiacid-etched glass 8mm thick. Lamp adjustable $\pm 15^\circ$ position. LOR --

INSTALLATION AND MAINTENANCE

The luminaires are fixed to the falseceiling by a heavy-duty bracket system, adjustable from inside the luminaire. Front re-lamping without removing the complete fitting from the ceiling.

WIRING

Single cable entry with cable gland PG 13.5 (\varnothing 6 \pm 0.2 mm) . Isolation: CLASS III . Available colours: Stainless steel (cod.19). Weight: 1 Kg Glow Wire test: 850°C

Lamp included.

This luminaire is compatible with bulbs of the energy classes: C. The luminaire is sold with a bulb of the energy class: C (Regulation UE 874/2012).

**TECHNICAL DATA SHEET ART. S.5862.19 - MINIZIP DOWNLIGHT SQUARE
ACCESSORIES**



S.5511
SQUARE RECESSED BOX
For cement ceiling installation.
Dimensions: 121÷165 mm h 135 mm