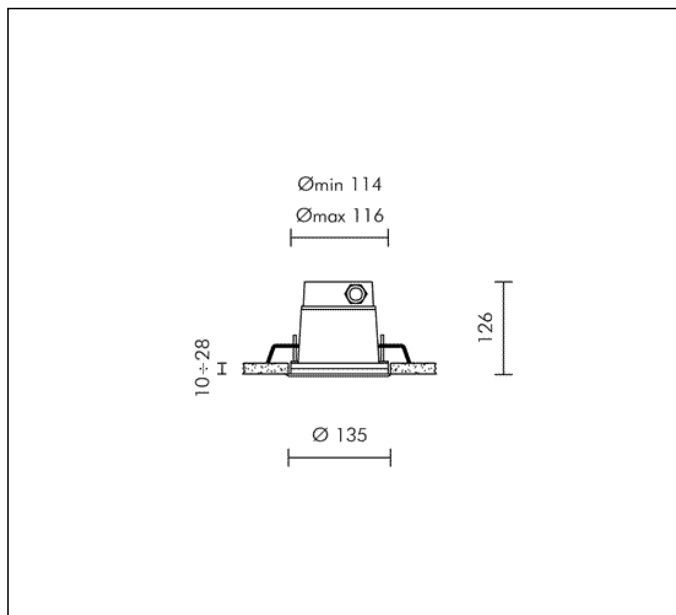
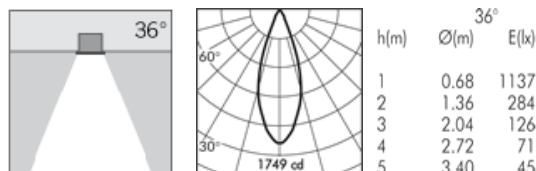


## TECHNICAL DATA SHEET ART. S.5842.19 - MINIZIP DOWNLIGHT ROUND

Available until 31/12/2017 but subject to stock levels



QR-CBC 51 35W GU5,3  
 Rated luminaire luminous flux: 442lm  
 Rated input power: 35W  
 Luminaire efficacy: 13lm/W (LOR: --)  
 Without transformer



### PRODUCT TYPE

False ceiling-recessed down-light fitting. Recessing depth 126 mm. IP rating IP 65

### MATERIAL CHARACTERISTICS

"Copper Free" Aluminium die cast housing in EN AB-44100 with high resistance against corrosion. Stone wash surface treatment prior to painting process. 2 mm thick front trim in Stainless Steel - Grade AISI 316L with 2,5-3% molybdenum content. A4 grade Stainless Steel screws with 2,5-3% molybdenum content which increases the resistance against corrosion. Pre treated Silicone Gaskets. Painting Process : 3 Step Process

1) Surface treatment with BONDERITE. A heavy metal free chemical surface treatment containing ceramic nano particles giving a cohesive, inorganic and highly dense protective coating. 2) PRE POLYMERIZATION a process of introducing an epoxy primer with excellent characteristics to the paint which also offers very high resistance to oxidation due to its Zinc content. 3) POLYMERIZATION a process with the application of polyester powder with high resistance against UV rays and harsh weather conditions. Resistance test protection for Marine applications for 1200h. Mechanical resistance IK 09

### LIGHTING PERFORMANCE

Toughened semiacid-etched glass 8mm thick. Lamp adjustable ±15° position. LOR --

### INSTALLATION AND MAINTENANCE

The luminaires are fixed to the falseceiling by a heavy-duty bracket system, adjustable from inside the luminaire. Front re-lamping without removing the complete fitting from the ceiling.

### WIRING

Single cable entry with cable gland PG 13.5 (Ø 6÷12 mm) . Isolation: CLASS III . Available colours: Stainless steel (cod.19). Weight: 0.9 Kg Glow Wire test: 850°C

Lamp included.

This luminaire is compatible with bulbs of the energy classes: C. The luminaire is sold with a bulb of the energy class: C (Regulation UE 874/2012).

## TECHNICAL DATA SHEET ART. S.5842.19 - MINIZIP DOWNLIGHT ROUND ACCESSORIES



**S.5510**  
**ROUND RECESSED BOX**  
For cement ceiling installation  
Dimensions: Ø 121÷165 mm h 135 mm