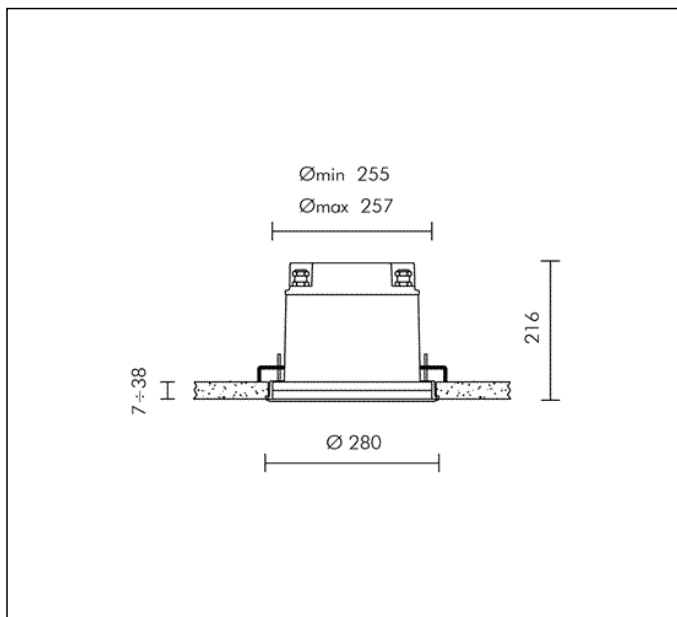
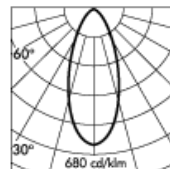
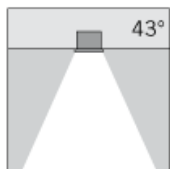


## TECHNICAL DATA SHEET ART. S.5573.19 - MEGAZIP DOWNLIGHT ROUND



HIT-CRI 70W CLEAR G12 6600lm  
 Rated luminaire luminous flux: 3533lm  
 Rated input power: 84W  
 Luminaire efficacy: 42lm/W (LOR: 54%)  
 Magnetic transformer 230÷240V 50Hz  
 EEI=A3, LOSSES=12.2W



h(m)	Ø(m)	E(lx)
2	1.58	1122
4	3.15	281
6	4.73	125
8	6.30	70
10	7.88	45



### PRODUCT TYPE

False ceiling-recessed down-light fitting. Recessing depth 216 mm. IP rating IP 65

### MATERIAL CHARACTERISTICS

"Copper Free" Aluminium die cast housing in EN AB-44100 with high resistance against corrosion. Stone wash surface treatment prior to painting process. 2 mm thick front trim in Stainless Steel - Grade AISI 316L with 2,5-3% molybdenum content. A4 grade Stainless Steel screws with 2,5-3% molybdenum content which increases the resistance against corrosion. Pre treated Silicone Gaskets. Painting Process : 3 Step Process

1) Surface treatment with BONDERITE. A heavy metal free chemical surface treatment containing ceramic nano particles giving a cohesive, inorganic and highly dense protective coating. 2) PRE POLYMERIZATION a process of introducing an epoxy primer with excellent characteristics to the paint which also offers very high resistance to oxidation due to its Zinc content. 3) POLYMERIZATION a process with the application of polyester powder with high resistance against UV rays and harsh weather conditions. Resistance test protection for Marine applications for 1200h. Mechanical resistance IK 09

### LIGHTING PERFORMANCE

Reflector in 99.98% pure anodized aluminium (with TC and HIT lamp version). Toughened acid-etched glass 12mm thick. Lamp adjustable ±15° position. LOR 54%

### INSTALLATION AND MAINTENANCE

The luminaires are fixed to the false ceiling by a heavy-duty bracket system, adjustable from inside the luminaire. Model comes with a steel safety wire. Front re-lamping without removing the complete fitting from the ceiling.

### WIRING

Double cable entry with cable glands PG 13.5 (Ø 6÷12 mm) . Isolation: CLASS I . Available colours: Stainless steel (cod.19). Weight: 6.2 Kg Glow Wire test: 850°C  
**Lamp included.**

**This luminaire is compatible with bulbs of the energy classes: A+. The luminaire is sold with a bulb of the energy class: A+ (Regulation UE 874/2012).**

**TECHNICAL DATA SHEET ART. S.5573.19 - MEGAZIP DOWNLIGHT ROUND  
ACCESSORIES**



**S.5530  
CONCRETE CEILING INSTALLATION KIT**

Kit :

- \_ steel plate;
- \_ round recessed box.

Dimensions: Ø 260 mm h 245 mm