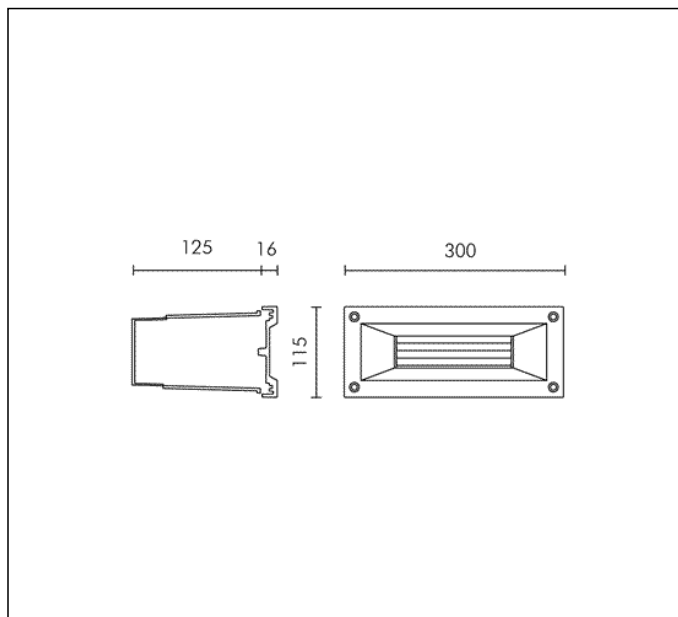
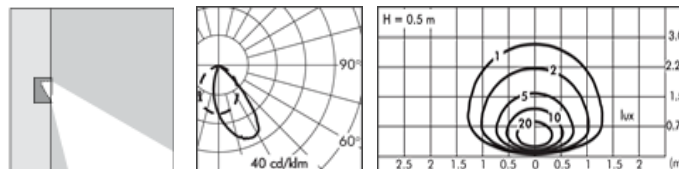


TECHNICAL DATA SHEET ART. S.4699 - MEGALINK HORIZONTAL WITH GRID

Available until 31/12/2017 but subject to stock levels



TC-D 26W G24d-3 1800lm
 Rated luminaire luminous flux: 90lm
 Rated input power: 31W
 Luminaire efficacy: 3lm/W (LOR: 5%)
 Magnetic transformer 230÷240V 50Hz



PRODUCT TYPE

Wall mounted luminaire. IP rating IP 65

MATERIAL CHARACTERISTICS

Aluminium die cast housing in EN AB-47100 (low copper content) with high resistance against corrosion. Stone wash surface treatment prior to painting process. A4 grade Stainless Steel screws with 2,5-3% molybdenum content which increases the resistance against corrosion. Silicone gaskets. Painting Process : 3 Step Process

1) Surface treatment with BONDERITE. A heavy metal free chemical surface treatment containing ceramic nano particles giving a cohesive, inorganic and highly dense protective coating. 2) PRE POLYMERIZATION a process of introducing an epoxy primer with excellent characteristics to the paint which also offers very high resistance to oxidation due to its Zinc content. 3) POLYMERIZATION a process with the application of polyester powder with high resistance against UV rays and harsh weather conditions. Resistance test protection for Marine applications for 1200h. Mechanical resistance IK 06

LIGHTING PERFORMANCE

Reflector in 99.98% pure anodized aluminium . Acid-etched toughened glass 4 mm thick. LOR 5%

INSTALLATION AND MAINTENANCE

The recessing box is provided with support ribs that make it crush-proof during installation; the ribs are molded to the recessing box and cannot fall out before installation. The ribs must be removed before the installation of the luminaire. The lamp body is secured to the recessing box through stainless steel screws; the electric components are protected by a covering reflector that houses the light source. The front frame of the luminaire, together with the anti-glare shield, and eventual coloured lenses, is then screwed to the rim of the recessing box assuring that wall imperfections remain hidden.

WIRING

Suitable for double cable entry. Isolation: CLASS I . Available colours: Aluminium grey (cod.14). Weight: 2.3 Kg Glow Wire test: 850°C

Lamp not included.

LINK REGISTERED DESIGN

This luminaire is compatible with bulbs of the energy classes: A (Regulation UE 874/2012).

TECHNICAL DATA SHEET ART. S.4699 - MEGALINK HORIZONTAL WITH GRID ACCESSORIES



S.4693
RECESSING BOX
Dimensions 107 x 292 mm
Width 125 mm

Available until 31/12/2017 but subject to stock levels