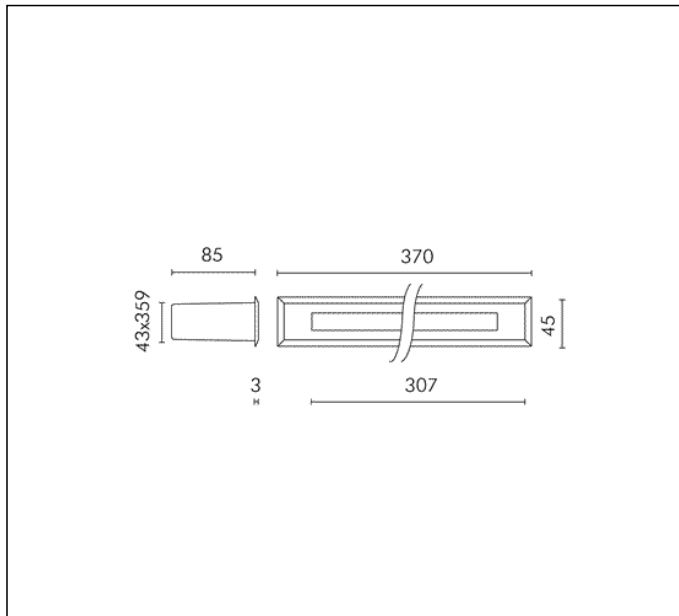
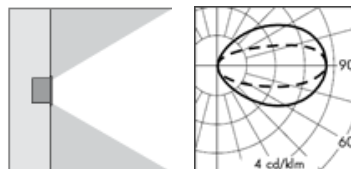


TECHNICAL DATA SHEET ART. S.4517.19 - RIGHELLO LONG FLAT DIFFUSER

Available until 31/12/2017 but subject to stock levels



MODULES LED 6000K 230V CRI 75
 Rated luminaire luminous flux: 80lm
 Rated input power: 2.4W
 Luminaire efficacy: 33lm/W
 220÷240V 50/60Hz



PRODUCT TYPE

Wall mounted luminaire. IP rating IP 65

MATERIAL CHARACTERISTICS

Polycarbonate housing. Stainless steel AISI 316L front trim 3 mm thick. Zinc alloy back-ring. Stone wash surface treatment prior to painting process. A4 grade Stainless Steel screws with 2,5-3% molybdenum content which increases the resistance against corrosion. Silicone gaskets. Painting Process : 3 Step Process

1) Surface treatment with BONDERITE. A heavy metal free chemical surface treatment containing ceramic nano particles giving a cohesive, inorganic and highly dense protective coating. 2) PRE POLYMERIZATION a process of introducing an epoxy primer with excellent characteristics to the paint which also offers very high resistance to oxidation due to its Zinc content. 3) POLYMERIZATION a process with the application of polyester powder with high resistance against UV rays and harsh weather conditions. Resistance test protection for Marine applications for 1200h. Mechanical resistance IK 09

LIGHTING PERFORMANCE

Methacrylate diffuser. LOR --

INSTALLATION AND MAINTENANCE

MICROPLUG comes with a polypropylene recessing box that should be installed flush to the wall. The frontal trim is made of AISI 316L stainless steel. Its clip fastening system, which keeps screws invisible on the assembled luminaire, enhances the product's minimalist design. Luminaires are supplied with two clips that allow an easy installation for floating walls and ceiling mounting. Wall thickness must be between 5 and 30 mm: RIGHELLO SHORT hole 226 x 36 mm, RIGHELLO LONG hole 356 x 36 mm.

WIRING

Supply 0.16m cable section type H07RN-F Isolation: CLASS II . Available colours: Stainless steel (cod.19). Weight: 1.1 Kg Glow Wire test: 850°C

L.E.D circuit included.

This luminaire contains built-in LED modules with energy class: A, A+, A++. In case of damage or malfunction please contact the manufacturer to receive additional instructions on how to replace and relative spare parts to order. The LED modules cannot be handled in the luminaire by the end user (Regulation UE 874/2012).

LED circuit boards are engineered accordingly to actual Lumen Maintenance regulation (LM80) and Technical Memorandum (TM21) where uniformity and quality of light is 50.000 hours referred to L70 B20 Ta 25°C.

Lifecycle refers to LED circuit boards only, all others components of the luminaire are excluded.

TECHNICAL DATA SHEET ART. S.4517.19 - RIGHELLO LONG FLAT DIFFUSER

Further information

RECESS BOX

