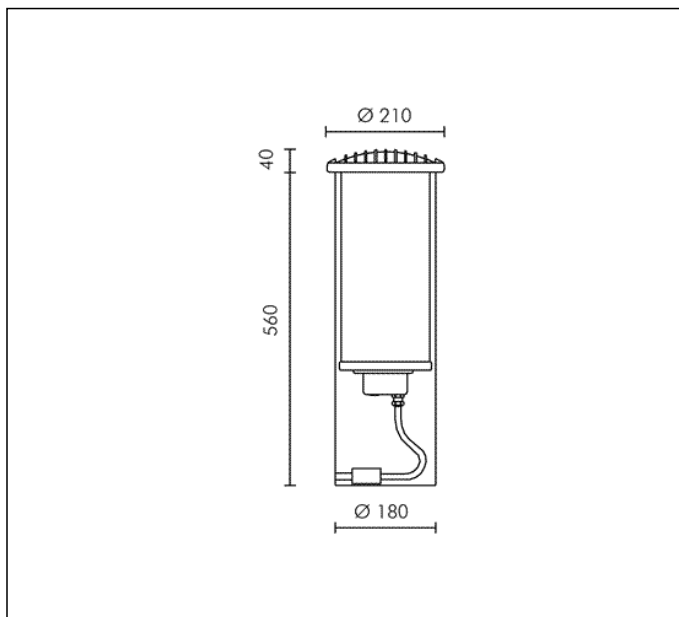
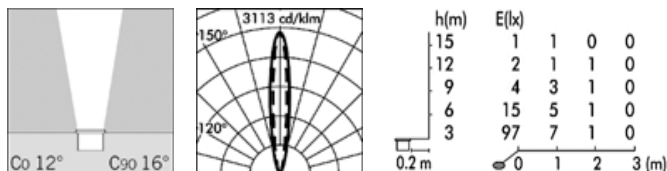


## TECHNICAL DATA SHEET ART. S.4440 - PRADO TERRA

Available until 31/12/2017 but subject to stock levels



HIT-CRI 70W CLEAR G12 6600lm  
 Rated luminaire luminous flux: 2244lm  
 Rated input power: 84W  
 Luminaire efficacy: 27lm/W (LOR: 34%)  
 Magnetic transformer 230÷240V 50Hz  
 EEI=A3, LOSSES=12.2W



### PRODUCT TYPE

Inground walk over fitting. IP rating IP 67

### MATERIAL CHARACTERISTICS

"Copper Free" Aluminium die cast housing in EN AB-44100 with high resistance against corrosion. Stone wash surface treatment prior to painting process. A4 grade Stainless Steel screws with 2,5-3% molybdenum content which increases the resistance against corrosion. Pre treated Silicone Gaskets. Painting Process : 3 Step Process

1) Surface treatment with BONDERITE. A heavy metal free chemical surface treatment containing ceramic nano particles giving a cohesive, inorganic and highly dense protective coating. 2) PRE POLYMERIZATION a process of introducing an epoxy primer with excellent characteristics to the paint which also offers very high resistance to oxidation due to its Zinc content. 3) POLYMERIZATION a process with the application of polyester powder with high resistance against UV rays and harsh weather conditions. Resistance test protection for Marine applications for 1200h. Mechanical resistance IK 07 Maximum load capacity 1000 Kg

### LIGHTING PERFORMANCE

Reflector in 99.98% pure anodized aluminium . Pressed glass toughened glass. Lamp adjustable  $\pm 15^\circ$  position. Protective front grill in die-cast aluminium. LOR 34%

### LOW SURFACE TEMPERATURE

Surface temperature of grill 72°C (Ta 25°C)

### RECESSING BOX

Recessing box in Polypropylene with cable entry on all 4 sides also allows: 1) Easy wiring; 2) Cable management for fast connector; 3) Easy access to the fitting for maintenance purposes.

### WIRING

Supply 1m cable section type H07RN-F secured by cable gland PG 13.5 ( $\varnothing$  6÷12 mm) and sealed with B component epoxy resin, wired internally protected by silicon sheaths. Front re-lamping without removing the complete fitting . Isolation: CLASS I . Available colours: Black (cod.09). Weight: 8.3 Kg Glow Wire test: 750°C

Lamp included.

This luminaire is compatible with bulbs of the energy classes: A+. The luminaire is sold with a bulb of the energy class: A+ (Regulation UE 874/2012).

**TECHNICAL DATA SHEET ART. S.4440 - PRADO TERRA  
INCLUDED ACCESSOIRES**



**FAST CONNECTOR INCLUDED**