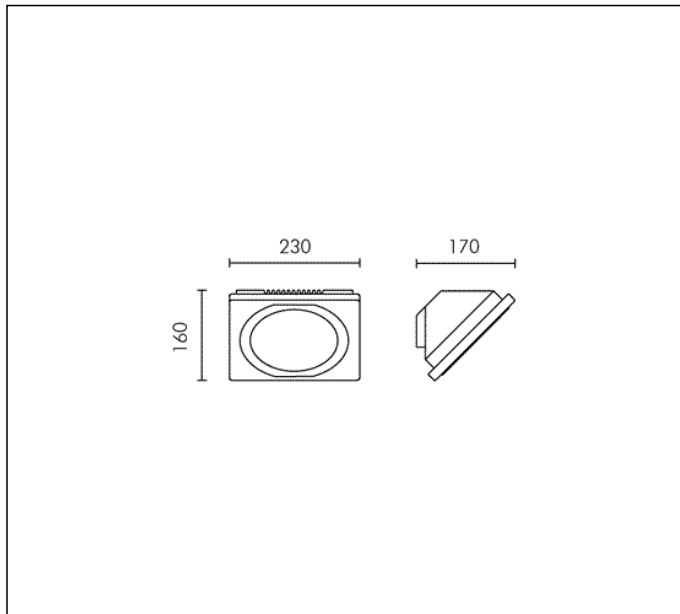
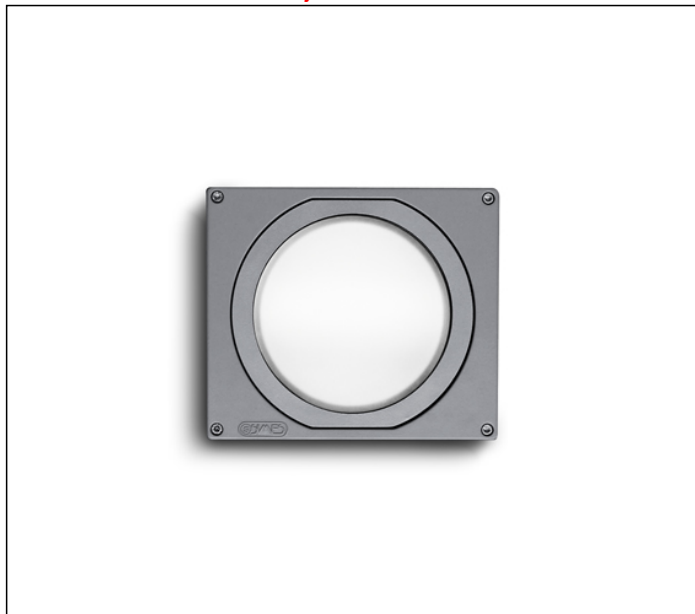
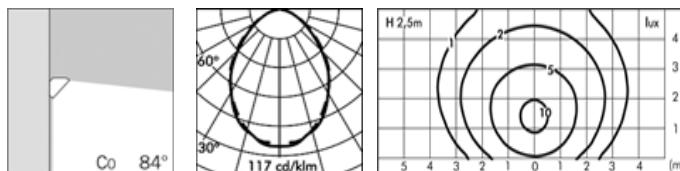


TECHNICAL DATA SHEET ART. S.4349 - WIP APPLIQUE

Available until 31/12/2017 but subject to stock levels



TC-D 18W G24d-2 1200lm
 Rated luminaire luminous flux: 228lm
 Rated input power: 22W
 Luminaire efficacy: 10lm/W (LOR: 19%)
 Magnetic transformer 230÷240V 50Hz



PRODUCT TYPE

Wall mounted luminaire. IP rating IP 65

MATERIAL CHARACTERISTICS

Aluminium die cast housing in EN AB-47100 (low copper content) with high resistance against corrosion. Stone wash surface treatment prior to painting process. A4 grade Stainless Steel screws with 2,5-3% molybdenum content which increases the resistance against corrosion. EPDM gaskets. Painting Process : 3 Step Process

1) Surface treatment with BONDERITE. A heavy metal free chemical surface treatment containing ceramic nano particles giving a cohesive, inorganic and highly dense protective coating. 2) PRE POLYMERIZATION a process of introducing an epoxy primer with excellent characteristics to the paint which also offers very high resistance to oxidation due to its Zinc content. 3) POLYMERIZATION a process with the application of polyester powder with high resistance against UV rays and harsh weather conditions. Resistance test protection for Marine applications for 1200h. Mechanical resistance IK 06

LIGHTING PERFORMANCE

Reflector in 99.98% pure anodized aluminium . Pressed and sand blasted glass diffuser. Lamp fixed position. LOR 19%

WIRING

Double cable entry . Isolation: CLASS I . Available colours: Black (cod.09), Aluminium grey (cod.14). Weight: 2.1 Kg Glow Wire test: 850°C

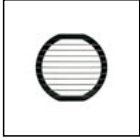
Lamp not included.

This luminaire is compatible with bulbs of the energy classes: A (Regulation UE 874/2012).

EMERGENCY VERSIONS

On request the fittings could be provided with electronic ballast which operate both on AC (50/60Hz), both on DC (0Hz) voltage.

TECHNICAL DATA SHEET ART. S.4349 - WIP APPLIQUE ACCESSORIES



S.4344 PROTECTIVE GRILL

Colours:
black
aluminium grey (code 14)

Available until 31/12/2017 but subject to stock levels

Further information

FIXING BASE

