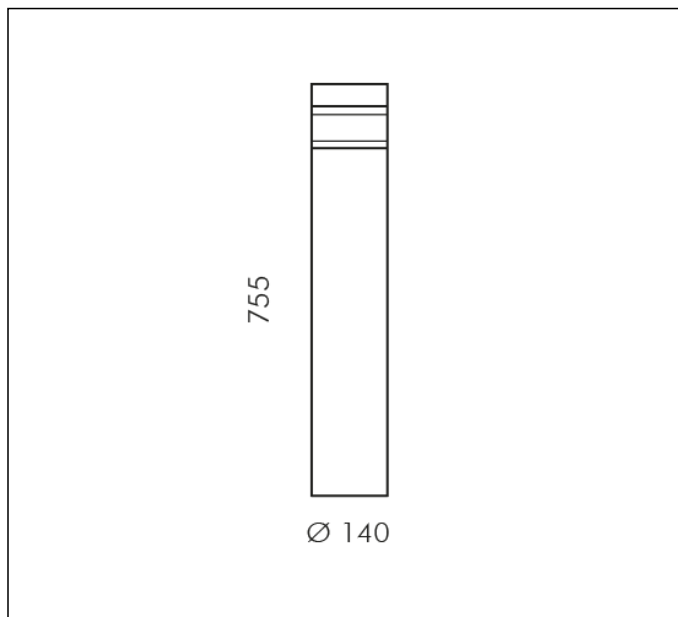
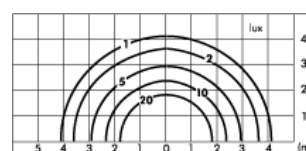
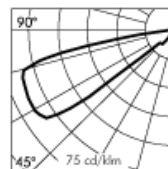


TECHNICAL DATA SHEET ART. S.4107 - MINI-IKONIC H 75cm



HIT-TC CRI 35W G8,5 230V 3300lm
 Rated luminaire luminous flux: 777lm
 Rated input power: 44W
 Luminaire efficacy: 18lm/W (LOR: 24%)
 Electronic ballast 230÷240V 50Hz



CE □ ⚡ IP 65 **A+**

PRODUCT TYPE

Bollard fitting. IP rating IP 65

MATERIAL CHARACTERISTICS

Extruded EN AW-6060 aluminium profile, die-cast EN AB-47100 aluminium housing with high corrosion resistance. Stone wash surface treatment prior to painting process. A4 grade Stainless Steel screws with 2,5-3% molybdenum content which increases the resistance against corrosion. Pre treated Silicone Gaskets. Painting Process : 3 Step Process

1) Surface treatment with BONDERITE. A heavy metal free chemical surface treatment containing ceramic nano particles giving a cohesive, inorganic and highly dense protective coating. 2) PRE POLYMERIZATION a process of introducing an epoxy primer with excellent characteristics to the paint which also offers very high resistance to oxidation due to its Zinc content. 3) POLYMERIZATION a process with the application of polyester powder with high resistance against UV rays and harsh weather conditions. Resistance test protection for Marine applications for 1200h. Mechanical resistance IK 06

LIGHTING PERFORMANCE

Borosilicate glass diffuser 7mm thick with controlled downward light emission for avoiding any glare, UV-stabilised and vandalproof . Lamp fixed position . LOR 24%

WIRING

Luminaire hard wired with single neoprene cable with cable gland (MINI-IKONIC). Luminaire suitable for double cable glands and connection box with fuses. Silicone gaskets (IKONIC). Isolation: CLASS II . Available colours: Aluminium grey (cod.14). Weight: 6.6 Kg Glow Wire test: 750°C

Lamp not included.

IKONIC REGISTERED DESIGN

This luminaire is compatible with bulbs of the energy classes: A+ (Regulation UE 874/2012).

TECHNICAL DATA SHEET ART. S.4107 - MINI-IKONIC H 75cm INCLUDED ACCESSOIRES



FAST CONNECTOR INCLUDED

ACCESSORIES



**S.4172
FLANGE**

Flange Ø 140mm h 115mm to be fixed in concrete with stainless steel screws for fixing in the ground.

Footstall dimension can be calculated according to your country norms and ground properties.