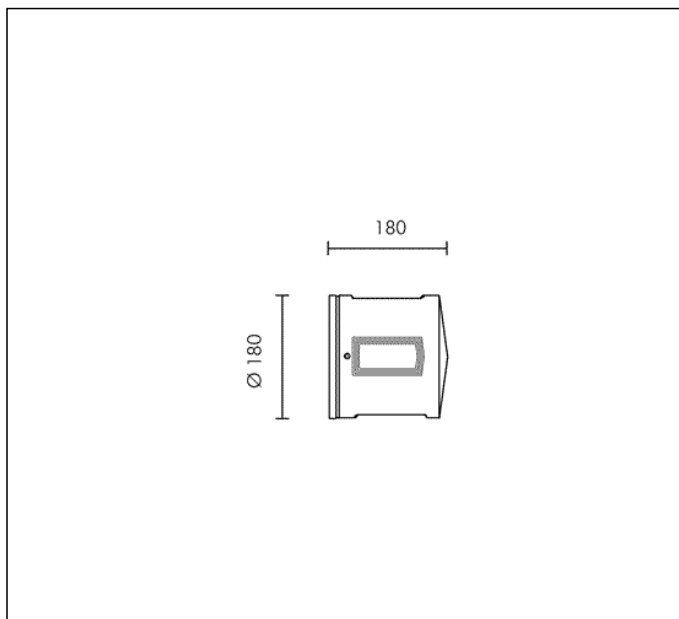
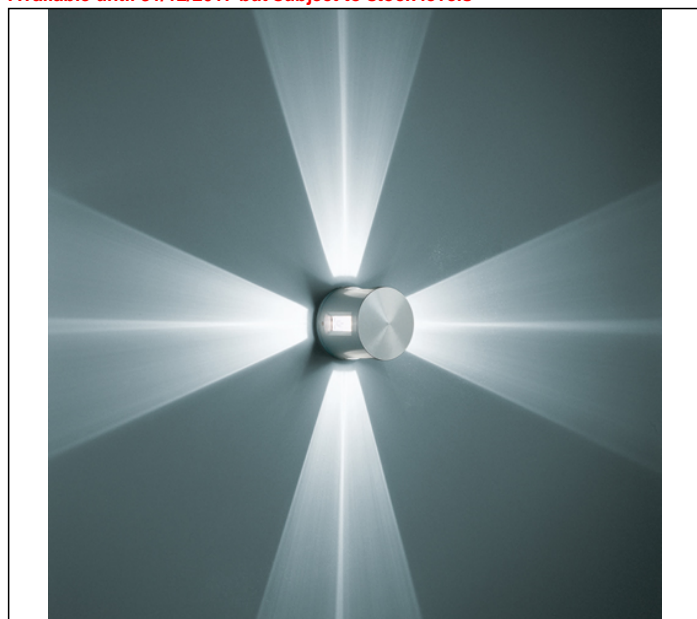
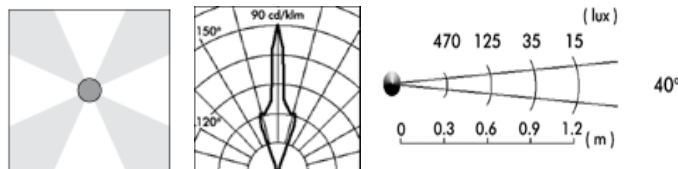


## TECHNICAL DATA SHEET ART. S.4082 - BLITZ 4 WINDOWS

Available until 31/12/2017 but subject to stock levels



QT32 105W E27 1980lm  
 Rated luminaire luminous flux: 277lm  
 Rated input power: 105W  
 Luminaire efficacy: 3lm/W (LOR: 14%)  
 220÷230V 50/60Hz



### PRODUCT TYPE

Wall mounted luminaire. IP rating IP 65

### MATERIAL CHARACTERISTICS

Aluminium die cast housing in EN AB-47100 (low copper content) with high resistance against corrosion. Stone wash surface treatment prior to painting process. A4 grade Stainless Steel screws with 2,5-3% molybdenum content which increases the resistance against corrosion. Silicone gaskets. Painting Process : 3 Step Process

1) Surface treatment with BONDERITE. A heavy metal free chemical surface treatment containing ceramic nano particles giving a cohesive, inorganic and highly dense protective coating. 2) PRE POLYMERIZATION a process of introducing an epoxy primer with excellent characteristics to the paint which also offers very high resistance to oxidation due to its Zinc content. 3) POLYMERIZATION a process with the application of polyester powder with high resistance against UV rays and harsh weather conditions. Resistance test protection for Marine applications for 1200h. Mechanical resistance IK 10

### LIGHTING PERFORMANCE

Luminaires come with toughened glass lenses already installed using the appropriate "lens-carrier slide". These may be substituted with coloured dichroic lenses. LOR 14%

### INSTALLATION AND MAINTENANCE

A robust, die-cast aluminium cap is secured to the base with four stainless steel screws. Lamp holders are positioned on a steel base that is adjustable along different planes.

### WIRING

Double cable entries with PG13,5 (Ø 6÷12 mm) cable glands. Isolation: CLASS I . Available colours: Aluminium grey (cod.14). Weight: 3.2 Kg Glow Wire test: 850°C  
**Lamp included.**

**This luminaire is compatible with bulbs of the energy classes: D. The luminaire is sold with a bulb of the energy class: D (Regulation UE 874/2012).**

## TECHNICAL DATA SHEET ART. S.4082 - BLITZ 4 WINDOWS ACCESSORIES



**S.4076**  
**COLOURED DICHROIC LENS**  
Red  
To be installed inside of the fitting instead of the standard ones.  
Medium beam 40°.



**S.4077**  
**COLOURED DICHROIC LENS**  
Blue  
To be installed inside of the fitting instead of the standard ones.  
Medium beam 40°.



**S.4078**  
**COLOURED DICHROIC LENS**  
Yellow  
To be installed inside of the fitting instead of the standard ones.  
Medium beam 40°.



**S.4079**  
**COLOURED DICHROIC LENS**  
Green  
To be installed inside of the fitting instead of the standard ones.  
Medium beam 40°.



**S.4040**  
**CLEAR LENS**  
To be installed inside of the fitting instead of the standard ones.  
Medium beam 40°.



**S.3554**  
**STAKE IN POLYPROPYLENE**  
Colour: black (code 09)  
Total length = 420 mm.  
The 90 mm upper part must stay out of the ground level, according with the norms.  
( not suitable for REEF bollard versions )

## Further information

### FIXING BASE

