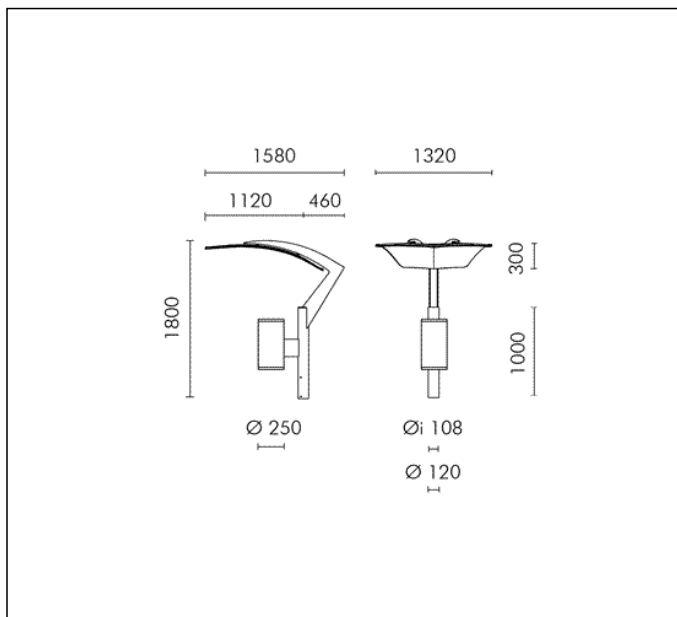
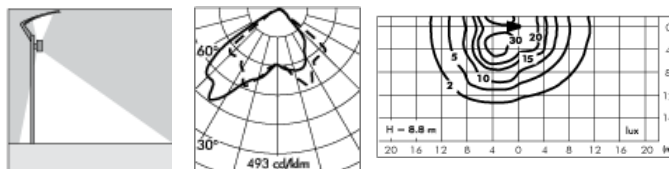


## TECHNICAL DATA SHEET ART. S.3978 - SLOT VELA



HIT-DE 150W <br> HIT-DE 70W Rx7S 19750lm  
 Rated luminaire luminous flux: 8610lm  
 Rated input power: 233W  
 Luminaire efficacy: 37lm/W (LOR: 44%)  
 Magnetic transformer 230÷240V 50Hz



CE □ ◆ ▲ ▲ IP 65 **A+**

### PRODUCT TYPE

Post top luminaire. IP rating IP 65

### MATERIAL CHARACTERISTICS

Aluminium die cast housing in EN AB-47100 (low copper content) and extruded EN AW-6060 with high resistance against corrosion. The holder is made of steel for mechanical strength and resistance to heavy atmospheric stress. The mirrors are affixed to an ultra-light plastic disk. The combined weight of mirror and polycarbonate disk is only 15 kg. Stone wash surface treatment prior to painting process. A4 grade Stainless Steel screws with 2,5-3% molybdenum content which increases the resistance against corrosion. Silicone gaskets. Painting Process : 3 Step Process

1) Surface treatment with BONDERITE. A heavy metal free chemical surface treatment containing ceramic nano particles giving a cohesive, inorganic and highly dense protective coating. 2) PRE POLYMERIZATION a process of introducing an epoxy primer with excellent characteristics to the paint which also offers very high resistance to oxidation due to its Zinc content. 3) POLYMERIZATION a process with the application of polyester powder with high resistance against UV rays and harsh weather conditions. Resistance test protection for Marine applications for 1200h. Mechanical resistance IK 09

### LIGHTING PERFORMANCE

The optical system comprises : 1) Bidirectional reflector with street optic for direct downward illumination in 99.98% pure aluminium; 2) Asymmetric reflector for indirect upward illumination in 99.98% pure aluminium; 3) Diffuser with involute distribution for indirect light in white fibre glass. The indirect light element creates a very pleasant light halo effect without any glare. Clear toughened glass 8 mm thick. LOR 44%

### POLE CONNECTION

Pole head in painted aluminium with Ø 120 mm connection.

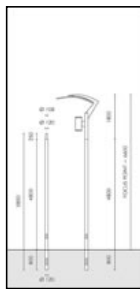
### WIRING

Single cable entry sealed with B component epoxy resin, wired internally protected by silicon sheaths. Fast connector IP67 (Ø 6÷12 mm) supplied as standard for single cable connection . Isolation: CLASS II . Available colours: Aluminium grey (cod.14). Weight: 86.5 Kg Glow Wire test: -- Exposed windage area : 0,48 m<sup>2</sup> ( SLOT VELA SINGLE ) Exposed windage area : 0,93 m<sup>2</sup> ( SLOT VELA TWIN )

**Lamp not included.**

**This luminaire is compatible with bulbs of the energy classes: A+ (Regulation UE 874/2012).**

## TECHNICAL DATA SHEET ART. S.3978 - SLOT VELA ACCESSORIES



### S.2836 Ø 120mm CYLINDRICAL POLE TO BE BURIED with Ø 108mm SPIGOT

Cylindrical shaped poles consisting of: straight circular section shaft, Ø 120mm, 3mm in thickness, total length 5,85m , single section built by using longitudinally welded tubes by induction welding (ERW) UNI EN 10219-2-ISO 4200

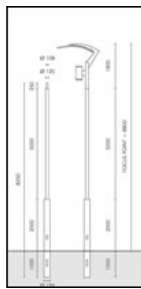
Suitable for ground recessed installation to a cement base 0,80m : Suggested reinforced concrete footstall dimension 1,1m x 1,1m h 1,1m. Footstall dimension can be calculated according to your country norms and ground properties.

The grade of steel used is S235JR (Fe360B) with material characteristics as per normative UNI EN 10025; The surface protection treatment is done through hot dip galvanization.

Painting Process: PRE POLYMERIZATION a process of introducing an epoxy primer with excellent characteristics to the paint which also offers very high resistance to oxidation due to its Zinc content. POLYMERIZATION a process with the application of polyester powder with high resistance against UV rays and harsh weather conditions. Resistance test protection for Marine applications for 1500h.

Including inspection door, terminal cable block and fuse.

TO BE USED WITH THE FOLLOWING ACCESSORIES:  
S.2809 POLE BASE COVER



### S.2837 Ø 193mm ÷ Ø 120mm CYLINDRICAL SHAPED POLE TO BE BURIED with Ø 108mm SPIGOT

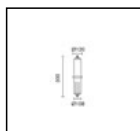
Cylindrical shaped poles consisting of: straight circular section shaft, Ø 193mm ÷ 102mm, 3mm in thickness, total length 8,25m , single section built by using longitudinally welded tubes by induction welding (ERW) UNI EN 10219-2-ISO 4200

Suitable for ground recessed installation to a cement base 1,00m : Suggested reinforced concrete footstall dimension 1,25m x 1,25m h 1,0m. Footstall dimension can be calculated according to your country norms and ground properties.

The grade of steel used is S235JR (Fe360B) with material characteristics as per normative UNI EN 10025; The surface protection treatment is done through hot dip galvanization.

Painting Process: PRE POLYMERIZATION a process of introducing an epoxy primer with excellent characteristics to the paint which also offers very high resistance to oxidation due to its Zinc content. POLYMERIZATION a process with the application of polyester powder with high resistance against UV rays and harsh weather conditions. Resistance test protection for Marine applications for 1500h.

Including inspection door, terminal cable block and fuse.



### S.2835 POLE CONNECTOR FOR Ø 120 mm POLE (Required when you don't use SIMES poles).



### S.2831 ACCESSORY AGAINST LIGHT POLLUTION

With this accessory the light emission above 90° is 0%



### S.2809 POLE BASE COVER

For pole with base and pole to be buried Ø102mm or Ø120mm.

Die-cast aluminium housing.