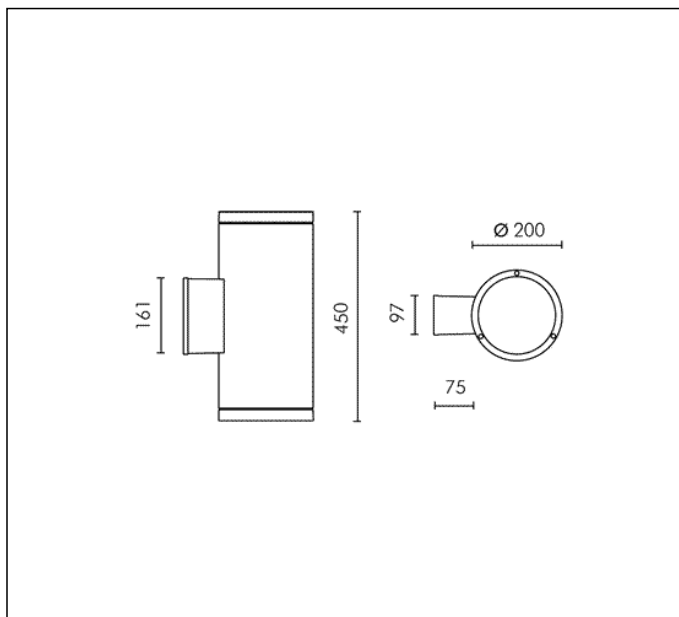
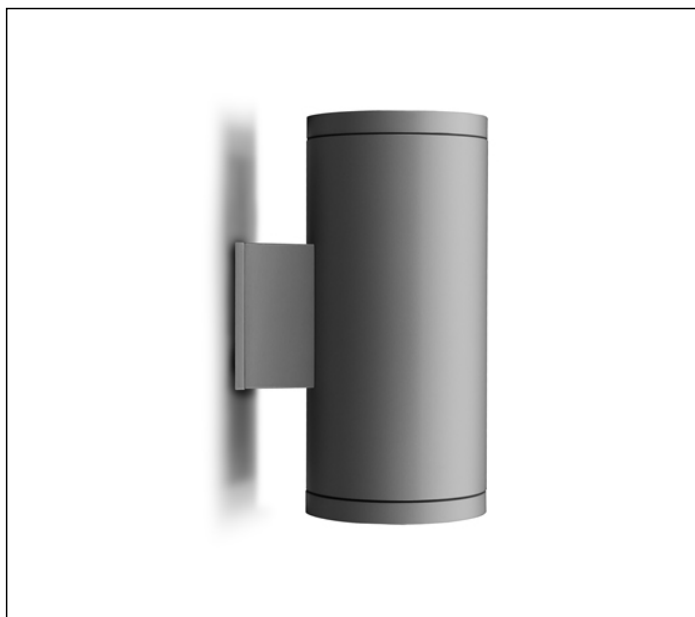
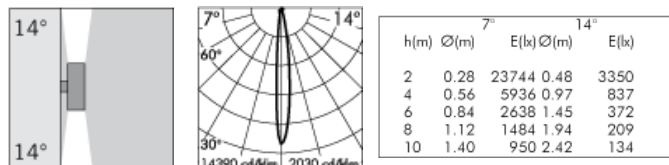


TECHNICAL DATA SHEET ART. S.3946 - SLOT UP-DOWN



2x HIT-CRI 70W CLEAR G12 13200lm
 Rated luminaire luminous flux: 6336lm
 Rated input power: 168W
 Luminaire efficacy: 38lm/W (LOR: 48%)
 Magnetic transformer 230÷240V 50Hz
 EEI=A3, LOSSES=12.2W



PRODUCT TYPE

Wall mounted luminaire. IP rating IP 65

MATERIAL CHARACTERISTICS

Aluminium die cast housing in EN AB-47100 (low copper content) and extruded EN AW-6060 with high resistance against corrosion. Stone wash surface treatment prior to painting process. A4 grade Stainless Steel screws with 2,5-3% molybdenum content which increases the resistance against corrosion. Silicone gaskets. Painting Process : 3 Step Process

1) Surface treatment with BONDERITE. A heavy metal free chemical surface treatment containing ceramic nano particles giving a cohesive, inorganic and highly dense protective coating. 2) PRE POLYMERIZATION a process of introducing an epoxy primer with excellent characteristics to the paint which also offers very high resistance to oxidation due to its Zinc content. 3) POLYMERIZATION a process with the application of polyester powder with high resistance against UV rays and harsh weather conditions. Resistance test protection for Marine applications for 1200h. Mechanical resistance IK 08

LIGHTING PERFORMANCE

Reflector in 99.98% pure anodized aluminium (with TC and HIT lamp version). Clear toughened glass 8 mm thick. Lamp adjustable $\pm 15^\circ$ position. LOR 48%

WIRING

Fast connector IP67 (Ø 6÷12 mm) supplied as standard for single cable connection . Isolation: CLASS I . Available colours: Aluminium grey (cod.14). Weight: 11.1 Kg
 Glow Wire test: 650°C

Lamp not included.

This luminaire is compatible with bulbs of the energy classes: A+ (Regulation UE 874/2012).

TECHNICAL DATA SHEET ART. S.3946 - SLOT UP-DOWN ACCESSORIES



S.3901

EXTENSIVE LENS

It enlarges the standard beam
Must be installed under the front glass.
It enlarges the standard beam from 14° to ~44°.



S.3902

ELLIPSOIDAL LENS

It modifies the standard beam from 7° to ~10°x32°.



S.5500

ANTIGLARE SHIELD

Use only with 7° beam reflector.

Further information

FIXING BASE

