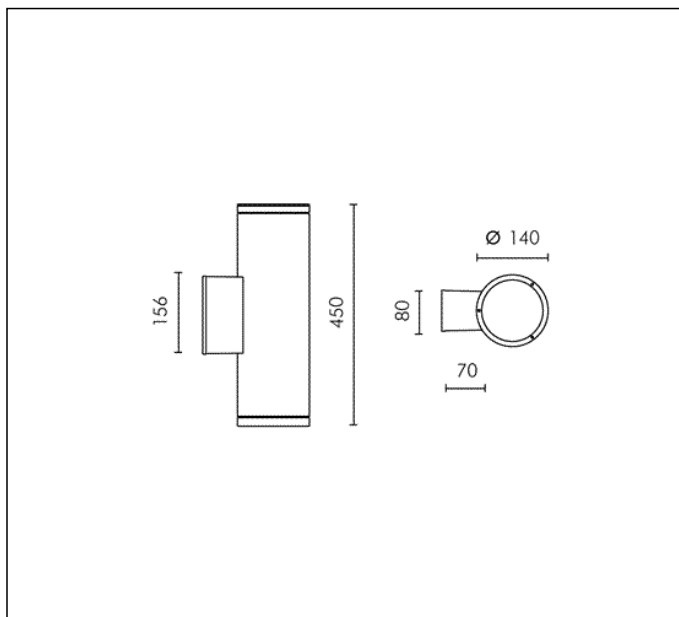
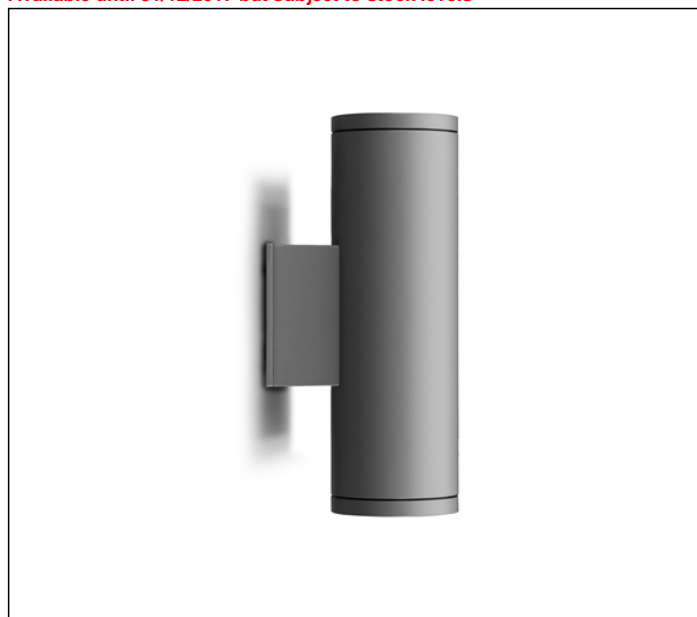
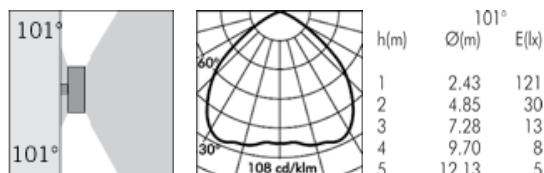


## TECHNICAL DATA SHEET ART. S.3940 - MINISLOT UP-DOWN

Available until 31/12/2017 but subject to stock levels



2x TC-TEL 18W Gx24q-2 2400lm  
 Rated luminaire luminous flux: 600lm  
 Rated input power: 38W  
 Luminaire efficacy: 16lm/W (LOR: 25%)  
 Electronic ballast 220÷240V 0/50/60Hz



### PRODUCT TYPE

Wall mounted luminaire. IP rating IP 65

### MATERIAL CHARACTERISTICS

Aluminium die cast housing in EN AB-47100 (low copper content) and extruded EN AW-6060 with high resistance against corrosion. Stone wash surface treatment prior to painting process. A4 grade Stainless Steel screws with 2,5-3% molybdenum content which increases the resistance against corrosion. Silicone gaskets. Painting Process : 3 Step Process

1) Surface treatment with BONDERITE. A heavy metal free chemical surface treatment containing ceramic nano particles giving a cohesive, inorganic and highly dense protective coating. 2) PRE POLYMERIZATION a process of introducing an epoxy primer with excellent characteristics to the paint which also offers very high resistance to oxidation due to its Zinc content. 3) POLYMERIZATION a process with the application of polyester powder with high resistance against UV rays and harsh weather conditions. Resistance test protection for Marine applications for 1200h. Mechanical resistance IK 08

### LIGHTING PERFORMANCE

Reflector in 99.98% pure anodized aluminium (with TC and HIT lamp version). Clear toughened glass 8 mm thick. Lamp fixed position. LOR 25%

### WIRING

Supply 0.3m cable section type H07RN-F. Fast connector IP67 (Ø 6÷12 mm) supplied as standard for single cable connection . Isolation: CLASS I . Available colours: Aluminium grey (cod.14). Weight: 4.3 Kg Glow Wire test: 650°C

**Lamp not included.**

**This luminaire is compatible with bulbs of the energy classes: B (Regulation UE 874/2012).**

### EMERGENCY VERSIONS

The fittings operates both on AC ( 50/60Hz ) and DC ( 0Hz ) voltage.

On request fittings are available with internal battery capacity of 1 Hour.

The dimension of the luminaires will be modified at 650mm.

## TECHNICAL DATA SHEET ART. S.3940 - MINISLOT UP-DOWN ACCESSORIES



**S.3911**  
**EXTENSIVE LENS**

All the lenses and the coloured filters must be installed below the front glass. It's possible to install only an accessory at a time, so it's not possible to install coloured filters and lenses together.

It enlarges the standard beam from 102° to ~120°.

## Further information

### FIXING BASE

