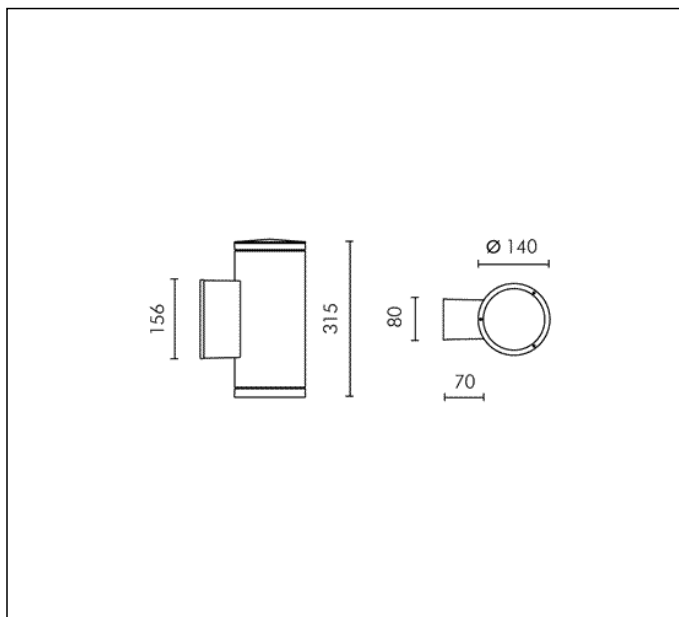
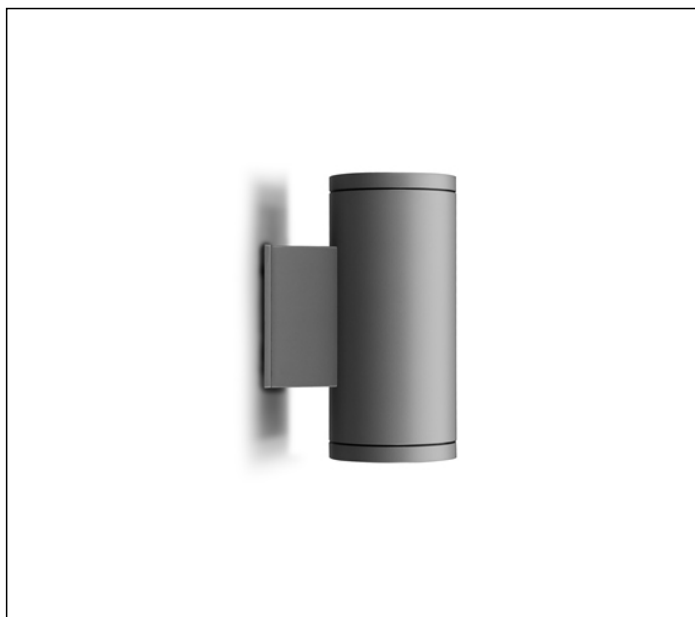
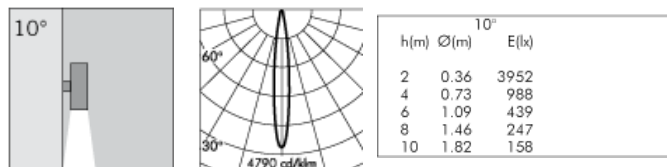


TECHNICAL DATA SHEET ART. S.3932 - MINISLOT



HIT-TC CRI 35W G8,5 3300lm
 Rated luminaire luminous flux: 1551lm
 Rated input power: 46W
 Luminaire efficacy: 34lm/W (LOR: 47%)
 Magnetic transformer 230÷240V 50Hz



PRODUCT TYPE

Wall mounted luminaire. IP rating IP 65

MATERIAL CHARACTERISTICS

Aluminium die cast housing in EN AB-47100 (low copper content) and extruded EN AW-6060 with high resistance against corrosion. Stone wash surface treatment prior to painting process. A4 grade Stainless Steel screws with 2,5-3% molybdenum content which increases the resistance against corrosion. Silicone gaskets. Painting Process : 3 Step Process

1) Surface treatment with BONDERITE. A heavy metal free chemical surface treatment containing ceramic nano particles giving a cohesive, inorganic and highly dense protective coating. 2) PRE POLYMERIZATION a process of introducing an epoxy primer with excellent characteristics to the paint which also offers very high resistance to oxidation due to its Zinc content. 3) POLYMERIZATION a process with the application of polyester powder with high resistance against UV rays and harsh weather conditions. Resistance test protection for Marine applications for 1200h. Mechanical resistance IK 08

LIGHTING PERFORMANCE

Reflector in 99.98% pure anodized aluminium (with TC and HIT lamp version). Clear toughened glass 8 mm thick. Lamp adjustable $\pm 15^\circ$ position. LOR 47%

WIRING

Supply 0.3m cable section type H07RN-F. Fast connector IP67 ($\varnothing 6\div 12$ mm) supplied as standard for single cable connection . Isolation: CLASS I . Available colours: Aluminium grey (cod.14). Weight: 4.2 Kg Glow Wire test: 650°C

Lamp not included.

This luminaire is compatible with bulbs of the energy classes: A+ (Regulation UE 874/2012).

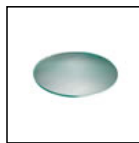
TECHNICAL DATA SHEET ART. S.3932 - MINISLOT ACCESSORIES



S.3911
EXTENSIVE LENS

All the lenses and the coloured filters must be installed below the front glass. It's possible to install only an accessory at a time, so it's not possible to install coloured filters and lenses together.

It enlarges the standard beam from 13° to ~37°.



S.3912
ELLIPSOIDAL LENS

All the lenses and the coloured filters must be installed below the front glass. It's possible to install only an accessory at a time, so it's not possible to install coloured filters and lenses together.

It modifies the standard beam from 13° to ~14°x48°.

Further information

FIXING BASE

