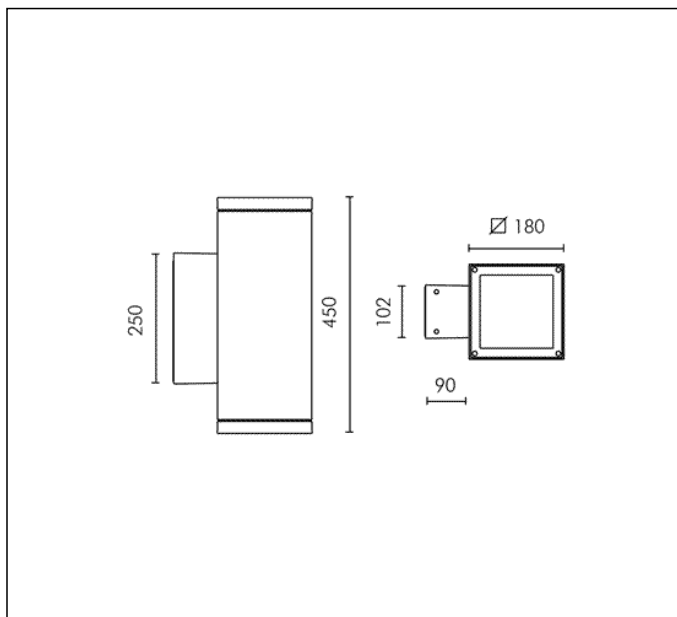
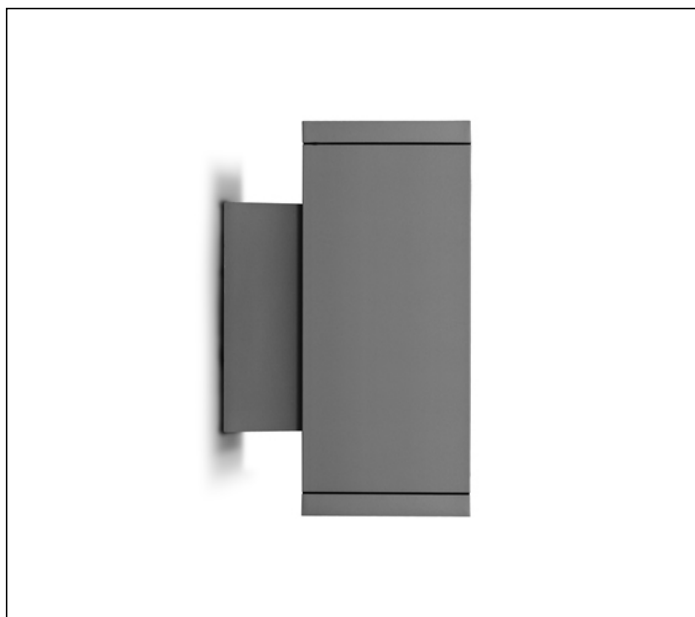
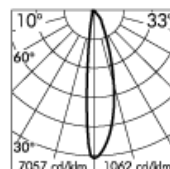
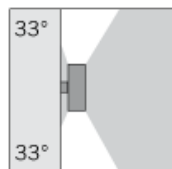


## TECHNICAL DATA SHEET ART. S.3846 - SLOT UP-DOWN



2x HIT-CRI 70W CLEAR G12 6600lm  
 Rated luminaire luminous flux: 6468lm  
 Rated input power: 168W  
 Luminaire efficacy: 39lm/W (LOR: 49%)  
 Magnetic transformer 230÷240V 50Hz  
 EEI=A3, LOSSES=12.2W



h(m)	10°		33°	
	Ø(m)	E(lx)Ø(m)	E(lx)	E(lx)
2	0.35	11644 1.18	1752	
4	0.70	2911 2.35	438	
6	1.05	1294 3.53	195	
8	1.40	728 4.71	109	
10	1.75	466 5.89	70	

CE IP 65

### PRODUCT TYPE

Wall mounted luminaire. IP rating IP 65

### MATERIAL CHARACTERISTICS

Aluminium die cast housing in EN AB-47100 (low copper content) and extruded EN AW-6060 with high resistance against corrosion. Stone wash surface treatment prior to painting process. A4 grade Stainless Steel screws with 2,5-3% molybdenum content which increases the resistance against corrosion. Silicone gaskets. Painting Process : 3 Step Process

1) Surface treatment with BONDERITE. A heavy metal free chemical surface treatment containing ceramic nano particles giving a cohesive, inorganic and highly dense protective coating. 2) PRE POLYMERIZATION a process of introducing an epoxy primer with excellent characteristics to the paint which also offers very high resistance to oxidation due to its Zinc content. 3) POLYMERIZATION a process with the application of polyester powder with high resistance against UV rays and harsh weather conditions. Resistance test protection for Marine applications for 1200h. Mechanical resistance IK 08

### LIGHTING PERFORMANCE

Reflector in 99.98% pure anodized aluminium (with TC and HIT lamp version). Clear toughened glass 8 mm thick. Lamp adjustable ±15° position. LOR 49%

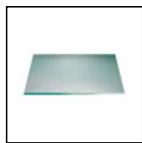
### WIRING

Fast connector IP67 (Ø 6÷12 mm) supplied as standard for single cable connection . Isolation: CLASS I . Available colours: Aluminium grey (cod.14). Weight: 11.8 Kg  
 Glow Wire test: 650°C

Lamp not included.

This luminaire is compatible with bulbs of the energy classes: A+ (Regulation UE 874/2012).

## TECHNICAL DATA SHEET ART. S.3846 - SLOT UP-DOWN ACCESSORIES



**S.3802**  
**ELLIPSOIDAL BEAM LENS**  
To install only with narrow beam angle optics.



**S.3801**  
**EXTENSIVE BEAM LENS**  
To install only with wide beam angle optics.

## Further information

### FIXING BASE

