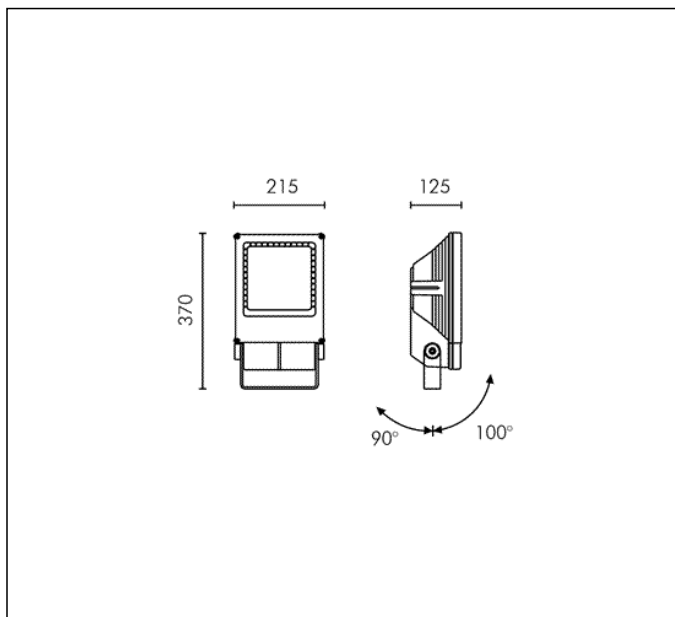
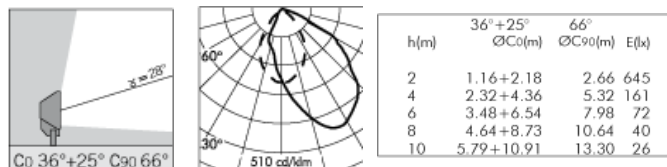


## TECHNICAL DATA SHEET ART. S.3766 - MINITECHNO RECTANGULAR FLOOD



HIT-DE 70W CLEAR Rx7s 6500lm  
 Rated luminaire luminous flux: 3900lm  
 Rated input power: 84W  
 Luminaire efficacy: 46lm/W (LOR: 57%)  
 Magnetic transformer 230÷240V 50Hz  
 EEI=A3, LOSSES=12.2W



### PRODUCT TYPE

Projector. IP rating IP 65

### MATERIAL CHARACTERISTICS

Aluminium die cast housing in EN AB-47100 (low copper content) with high resistance against corrosion. Stone wash surface treatment prior to painting process. A4 grade Stainless Steel screws with 2,5-3% molybdenum content which increases the resistance against corrosion. Pre treated Silicone Gaskets. Painting Process : 3 Step Process

1) Surface treatment with BONDERITE. A heavy metal free chemical surface treatment containing ceramic nano particles giving a cohesive, inorganic and highly dense protective coating. 2) PRE POLYMERIZATION a process of introducing an epoxy primer with excellent characteristics to the paint which also offers very high resistance to oxidation due to its Zinc content. 3) POLYMERIZATION a process with the application of polyester powder with high resistance against UV rays and harsh weather conditions. Resistance test protection for Marine applications for 1200h. 4 mm thick tempered glass diffuser. Mechanical resistance IK 08 Maximum load capacity --

### LIGHTING PERFORMANCE

The lathed anodized reflector is composed of 99,98% pure anodized aluminium with a bright polish finish. LOR 57%

### INSTALLATION AND MAINTENANCE

The projector is supplied with graduated ferrules on both sides of the fitting.

### WIRING

Double cable entry with PG16 (Ø 10÷14 mm) cable gland. Isolation: CLASS II . Available colours: Aluminium grey (cod.14). Weight: 5.4 Kg Glow Wire test: 850°C  
**Lamp not included.**

**This luminaire is compatible with bulbs of the energy classes: A+ (Regulation UE 874/2012).**

## TECHNICAL DATA SHEET ART. S.3766 - MINITECHNO RECTANGULAR FLOOD ACCESSORIES



### S.3780

#### PROTECTIVE GRILL

In die-cast aluminium. To be installed instead of the aluminium ring holder.

Available until 31/12/2017 but subject to stock levels



### S.3781

#### VISOR

In painted steel with die-cast aluminium ring holder. To be installed instead of the aluminium ring holder.



### S.3783

#### WIDE BEAM LENS

## Further information

### FIXING BASE

