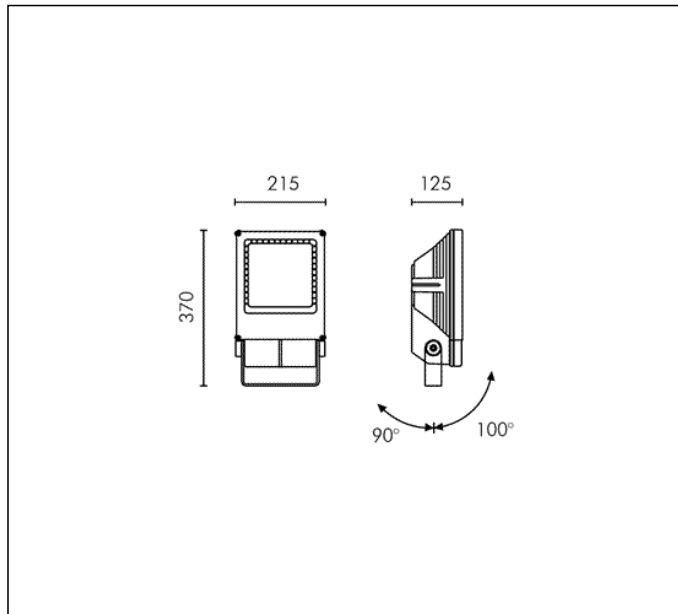
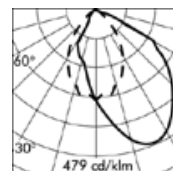
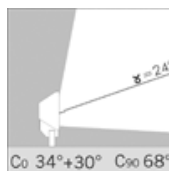


TECHNICAL DATA SHEET ART. S.3760 - MINITECHNO RECTANGULAR FLOOD

Available until 31/12/2017 but subject to stock levels



QT-DE12 300W R7s 5000lm
 Rated luminaire luminous flux: 3000lm
 Rated input power: 300W
 Luminaire efficacy: 10lm/W (LOR: 60%)
 220÷240V 50/60Hz



h(m)	34°+30°		68°
	ØC0(m)	ØC90(m)	
2	1.09+2.30	2.52	498
4	2.19+4.61	5.42	125
6	3.28+6.91	8.14	55
8	4.37+9.22	10.84	31
10	5.46+11.52	13.56	20



PRODUCT TYPE

Projector. IP rating IP 65

MATERIAL CHARACTERISTICS

Aluminium die cast housing in EN AB-47100 (low copper content) with high resistance against corrosion. Stone wash surface treatment prior to painting process. A4 grade Stainless Steel screws with 2,5-3% molybdenum content which increases the resistance against corrosion. Pre treated Silicone Gaskets. Painting Process : 3 Step Process

1) Surface treatment with BONDERITE. A heavy metal free chemical surface treatment containing ceramic nano particles giving a cohesive, inorganic and highly dense protective coating. 2) PRE POLYMERIZATION a process of introducing an epoxy primer with excellent characteristics to the paint which also offers very high resistance to oxidation due to its Zinc content. 3) POLYMERIZATION a process with the application of polyester powder with high resistance against UV rays and harsh weather conditions. Resistance test protection for Marine applications for 1200h. 4 mm thick tempered glass diffuser. Mechanical resistance IK 08 Maximum load capacity --

LIGHTING PERFORMANCE

The lathed anodized reflector is composed of 99,98% pure anodized aluminium with a bright polish finish. LOR 60%

INSTALLATION AND MAINTENANCE

The projector is supplied with graduated ferrules on both sides of the fitting.

WIRING

Double cable entry with PG16 (Ø 10÷14 mm) cable gland. Isolation: CLASS II . Available colours: Aluminium grey (cod.14). Weight: 4 Kg Glow Wire test: 850°C
Lamp not included.

This luminaire is compatible with bulbs of the energy classes: C (Regulation UE 874/2012).

TECHNICAL DATA SHEET ART. S.3760 - MINITECHNO RECTANGULAR FLOOD ACCESSORIES



S.3780

PROTECTIVE GRILL

In die-cast aluminium. To be installed instead of the aluminium ring holder.

Available until 31/12/2017 but subject to stock levels



S.3781

VISOR

In painted steel with die-cast aluminium ring holder. To be installed instead of the aluminium ring holder.



S.3783

WIDE BEAM LENS

Further information

FIXING BASE

