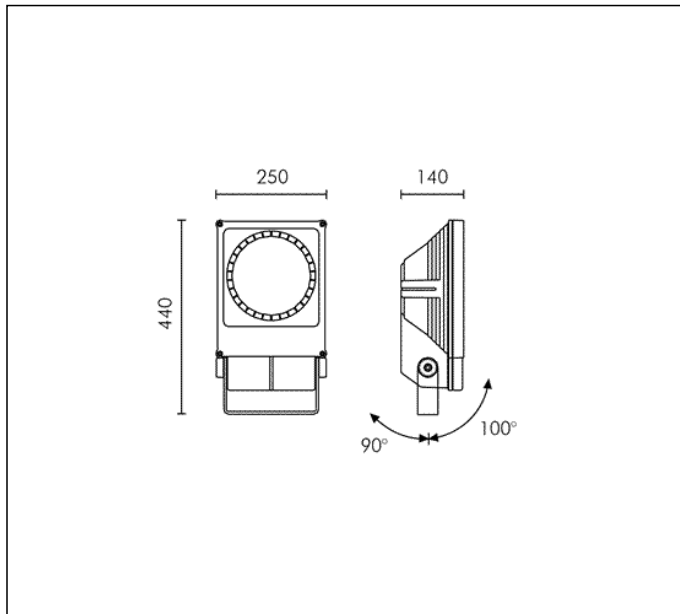
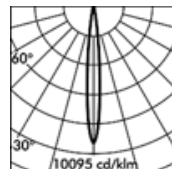
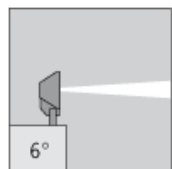


TECHNICAL DATA SHEET ART. S.3738 - TECHNO RECTANGULAR SPOT

Available until 31/12/2017 but subject to stock levels



HIT-CRI 150W CLEAR G12 14000lm
 Rated luminaire luminous flux: 8260lm
 Rated input power: 149W
 Luminaire efficacy: 55lm/W (LOR: 59%)
 Magnetic transformer 230÷240V 50Hz
 EEI=A3, LOSSES=18.5W



h(m)	Ø(m)	E(lx)
4	0.45	14677
8	0.89	3669
12	1.34	1631
16	1.79	917
20	2.24	587

* Relief measured using PHILIPS CDM-T lamp

CE IP 65

PRODUCT TYPE

Projector. IP rating IP 65

MATERIAL CHARACTERISTICS

Aluminium die cast housing in EN AB-47100 (low copper content) with high resistance against corrosion. Stone wash surface treatment prior to painting process. A4 grade Stainless Steel screws with 2,5-3% molybdenum content which increases the resistance against corrosion. Pre treated Silicone Gaskets. Painting Process : 3 Step Process

1) Surface treatment with BONDERITE. A heavy metal free chemical surface treatment containing ceramic nano particles giving a cohesive, inorganic and highly dense protective coating. 2) PRE POLYMERIZATION a process of introducing an epoxy primer with excellent characteristics to the paint which also offers very high resistance to oxidation due to its Zinc content. 3) POLYMERIZATION a process with the application of polyester powder with high resistance against UV rays and harsh weather conditions. Resistance test protection for Marine applications for 1200h. 4 mm thick tempered glass diffuser. Mechanical resistance IK 08 Maximum load capacity --

LIGHTING PERFORMANCE

The lathed anodized reflector is composed of 99,98% pure anodized aluminium with a bright polish finish. LOR 59%

INSTALLATION AND MAINTENANCE

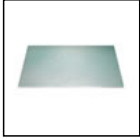
The projector is supplied with graduated ferrules on both sides of the fitting.

WIRING

Double cable entry with PG16 (Ø 10÷14 mm) cable gland. Isolation: CLASS I . Available colours: Aluminium grey (cod.14). Weight: 7.3 Kg Glow Wire test: 850°C
Lamp not included.

This luminaire is compatible with bulbs of the energy classes: A+ (Regulation UE 874/2012).

TECHNICAL DATA SHEET ART. S.3738 - TECHNO RECTANGULAR SPOT ACCESSORIES



S.3705
ELLIPSOIDALE BEAM LENS

It modifies the standard beam from 6° to ~ 10°x64°.



S.5500
ANTIGLARE SHIELD

Further information

FIXING BASE

