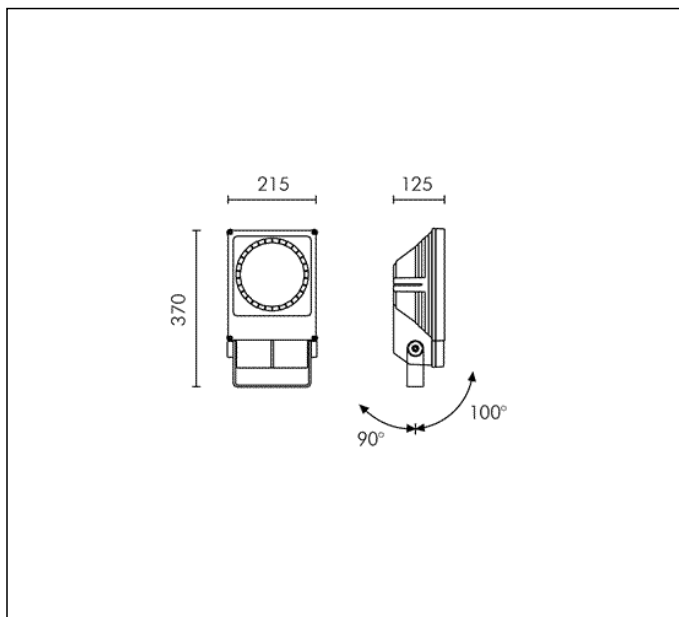
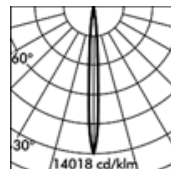
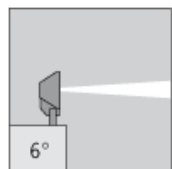


TECHNICAL DATA SHEET ART. S.3732 - MINITECHNO RECTANGULAR SPOT

Available until 31/12/2017 but subject to stock levels



HIT-TC CRI 70W CLEAR G8,5 6600lm
 Rated luminaire luminous flux: 3102lm
 Rated input power: 84W
 Luminaire efficacy: 37lm/W (LOR: 47%)
 Magnetic transformer 230÷240V 50Hz
 EEI=A3, LOSSES=12.2W



h(m)	70W 6°		35W 8°	
	Ø(m)	E(lx)	Ø(m)	E(lx)
4	0.48	5767	0.60	2231
8	0.95	1442	1.20	558
12	1.43	614	1.80	248
16	1.90	360	2.41	139
20	2.38	231	3.01	89

* Relief measured using OSRAM HCI-TC lamp

CE □ ⚡ IP 65 A+

PRODUCT TYPE

Projector. IP rating IP 65

MATERIAL CHARACTERISTICS

Aluminium die cast housing in EN AB-47100 (low copper content) with high resistance against corrosion. Stone wash surface treatment prior to painting process. A4 grade Stainless Steel screws with 2,5-3% molybdenum content which increases the resistance against corrosion. Pre treated Silicone Gaskets. Painting Process : 3 Step Process

1) Surface treatment with BONDERITE. A heavy metal free chemical surface treatment containing ceramic nano particles giving a cohesive, inorganic and highly dense protective coating. 2) PRE POLYMERIZATION a process of introducing an epoxy primer with excellent characteristics to the paint which also offers very high resistance to oxidation due to its Zinc content. 3) POLYMERIZATION a process with the application of polyester powder with high resistance against UV rays and harsh weather conditions. Resistance test protection for Marine applications for 1200h. 4 mm thick tempered glass diffuser. Mechanical resistance IK 08 Maximum load capacity --

LIGHTING PERFORMANCE

The lathed anodized reflector is composed of 99,98% pure anodized aluminium with a bright polish finish. LOR 47%

INSTALLATION AND MAINTENANCE

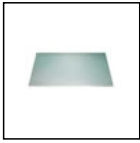
The projector is supplied with graduated ferrules on both sides of the fitting.

WIRING

Double cable entry with PG16 (Ø 10÷14 mm) cable gland. Isolation: CLASS II . Available colours: Aluminium grey (cod.14). Weight: 5.4 Kg Glow Wire test: 850°C
Lamp not included.

This luminaire is compatible with bulbs of the energy classes: A+ (Regulation UE 874/2012).

TECHNICAL DATA SHEET ART. S.3732 - MINITECHNO RECTANGULAR SPOT ACCESSORIES



S.3755
ELLIPSOIDALE BEAM LENS

It modifies the standard beam from 6° to ~ 10°x56°.



S.5500
ANTIGLARE SHIELD

Further information

FIXING BASE

