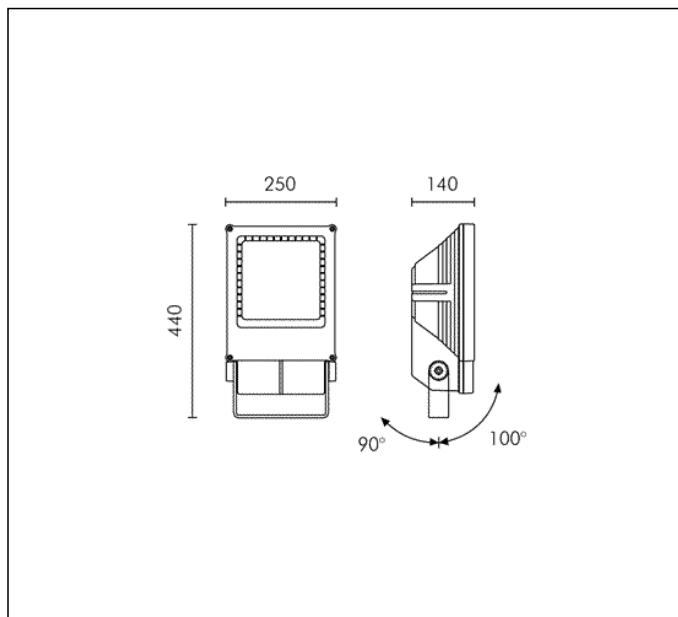
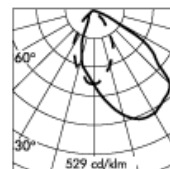
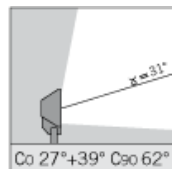


TECHNICAL DATA SHEET ART. S.3728 - TECHNO RECTANGULAR FLOOD



HIT-DE 150W CLEAR Rx7s 13250lm
 Rated luminaire luminous flux: 7155lm
 Rated input power: 149W
 Luminaire efficacy: 48lm/W (LOR: 58%)
 Magnetic transformer 230÷240V 50Hz
 EEI=A3, LOSSES=18.5W



h(m)	27°+39°		62°	
	ØC0(m)	ØC90(m)	ØC0(m)	E(lx)
4	3.00+4.07	4.90	269	
8	5.99+8.14	9.78	67	
12	8.99+12.22	14.68	30	
16	11.99+16.29	19.56	17	
20	14.99+20.36	24.46	11	



PRODUCT TYPE

Projector. IP rating IP 65

MATERIAL CHARACTERISTICS

Aluminium die cast housing in EN AB-47100 (low copper content) with high resistance against corrosion. Stone wash surface treatment prior to painting process. A4 grade Stainless Steel screws with 2,5-3% molybdenum content which increases the resistance against corrosion. Pre treated Silicone Gaskets. Painting Process : 3 Step Process

1) Surface treatment with BONDERITE. A heavy metal free chemical surface treatment containing ceramic nano particles giving a cohesive, inorganic and highly dense protective coating. 2) PRE POLYMERIZATION a process of introducing an epoxy primer with excellent characteristics to the paint which also offers very high resistance to oxidation due to its Zinc content. 3) POLYMERIZATION a process with the application of polyester powder with high resistance against UV rays and harsh weather conditions. Resistance test protection for Marine applications for 1200h. 4 mm thick tempered glass diffuser. Mechanical resistance IK 08 Maximum load capacity --

LIGHTING PERFORMANCE

The lathed anodized reflector is composed of 99,98% pure anodized aluminium with a bright polish finish. LOR 58%

INSTALLATION AND MAINTENANCE

The projector is supplied with graduated ferrules on both sides of the fitting.

WIRING

Double cable entry with PG16 (Ø 10÷14 mm) cable gland. Isolation: CLASS I . Available colours: Aluminium grey (cod.14). Weight: 7.3 Kg Glow Wire test: 850°C
Lamp not included.

This luminaire is compatible with bulbs of the energy classes: A+ (Regulation UE 874/2012).

TECHNICAL DATA SHEET ART. S.3728 - TECHNO RECTANGULAR FLOOD ACCESSORIES



S.3700

PROTECTIVE GRILL

In die-cast aluminium. To be installed instead of the aluminium ring holder.

Available until 31/12/2017 but subject to stock levels



S.3701

VISOR

In painted steel with die-cast aluminium ring holder. To be installed instead of the aluminium ring holder.



S.3703

WIDE BEAM LENS

Further information

FIXING BASE

