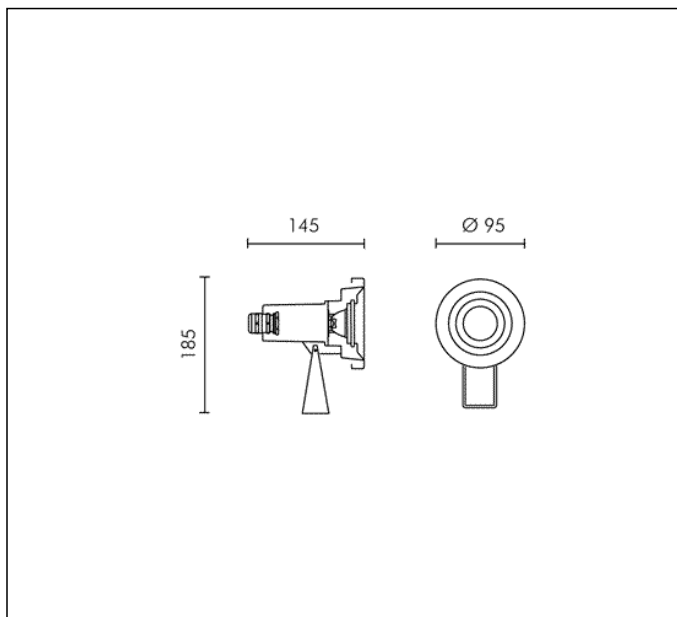


TECHNICAL DATA SHEET ART. S.3673.19 - MICROPOOL SPOT



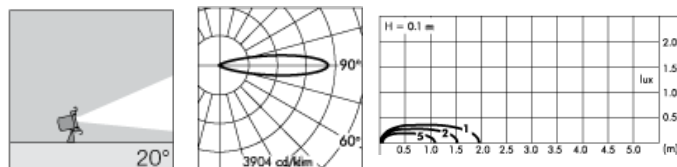
1 MODULES LED RGBW 24V PWM

Rated luminaire luminous flux: 13lm

Rated input power: 5W

Luminaire efficacy: 3lm/W

Without transformer



CE III IP 68 - 3m A A+ A++

PRODUCT TYPE

Submersion luminaire. IP rating IP 68

MATERIAL CHARACTERISTICS

Talc-filled technopolymer housing. Marine grade stainless steel AISI 316L front trim 2 mm thick. A4 grade Stainless Steel screws with 2,5-3% molybdenum content which increases the resistance against corrosion. Toughened transparent glass 4mm thick for MICROPOOL SPOT, 8mm MINIPOOL SPOT and POOL SPOT. Mechanical resistance IK 10 Silicone gaskets.

LIGHTING PERFORMANCE

The spectral distribution of the light is intended to change the appearance of the scene or object lit. Not intended for use in other applications. Lamp fixed position. LOR --

WIRING

POOL SPOT requires a FLANGE accessory to anchor the fitting to the bottom of pools or fountains. The stainless steel flange is supplied with fastening screws, both for fixing the fitting to the flange and for the anchorage to the bottom of the pool. Should the fixation with screws be impossible, the weight of the accessory still allows to keep the luminaire sitting on the bottom of the pool. Single cable entry with M20 brass cable gland. Luminaire hard wired with 6 m. cable (6 x 1mm²) cable type H07RN8-F for MICROPOOL RGBW, 6 m. cable (6 x 1mm²) cable type H07RN8-F for MINIPOOL RGBW and 8 m. cable (6 x 1mm²) cable type H07RN8-F for POOL RGBW closed by cable gland and sealed with B component epoxy resin, wired internally protected by silicon sheaths Isolation: CLASS III . Available colours: Stainless steel (cod.19). Weight: 1.8 Kg

Lamp included.

Not suitable to install outside the water.

The luminaire cannot be installed out of the water.

Not suitable for immersion in sea water.

POOL REGISTERED DESIGN

This luminaire contains built-in LED modules with energy class: A, A+, A++. In case of damage or malfunction please contact the manufacturer to receive additional instructions on how to replace and relative spare parts to order. The LED modules cannot be handled in the luminaire by the end user (Regulation UE 874/2012).

LED circuit boards are engineered accordingly to actual Lumen Maintenance regulation (LM80) and Technical Memorandum (TM21) where uniformity and quality of light is 50.000 hours referred to L70 B20 Ta 25°C.

Lifecycle refers to LED circuit boards only, all others components of the luminaire are excluded.

TECHNICAL DATA SHEET ART. S.3673.19 - MICROPOOL SPOT ACCESSORIES



S.3493

DMX CONTROLLER SET

This DMX system includes a controller (A) and a control unit (B).

The controller has a wall fixed base wired to the control unit.

With the controller (A) simple sceneries can be programmed and managed.

The control unit (B) memorizes and runs the light sceneries generated by the controller (A) through a DMX signal. Moreover it can memorize complex light sceneries created with a computer using a professional DMX software.

IP20



S.3494

REMOTE CONTROL UNIT

It allows the wireless connection via radio waves between the controller (A) and the control unit (B).

Hence the controller (A) becomes portable.

IP20



S.3671

FLANGE

Fixation base plate installation.

Kg 1,5



S.3660

JUNCTION BOX IP65*

Junction box with cable glands for 3 cables IN (possibility of 3 more cables IN with S.3670 accessories)

Maximum load capacity 500Kg

Dimensions 300mm x300mm x230mm



S.3670

1 ADDITIONAL CABLE GLAND

Required for the connection of over 2 luminaires to the junction box /power supply.



S.3668

JUNCTION BOX WITH RGBW POWER SUPPLY 22W 240V/24V PWM

IP65 power supply for: N°2 Micropool LED RGBW or N°1 Minipool LED RGBW

maximum load capacity 500Kg

Dimensions 200mm x200mm x220mm



S.3667

JUNCTION BOX WITH RGBW POWER SUPPLY 70W 240V/24V PWM

IP65 power supply for: N°4 Micropool LED RGBW** or N°4 Minipool LED RGBW** or N°2 Pool LED RGBW

maximum load capacity 500Kg

Dimensions 300mm x300mm x230mm

** = require 2 x S.3670 additional cable gland

Further information

FIXING BASE

