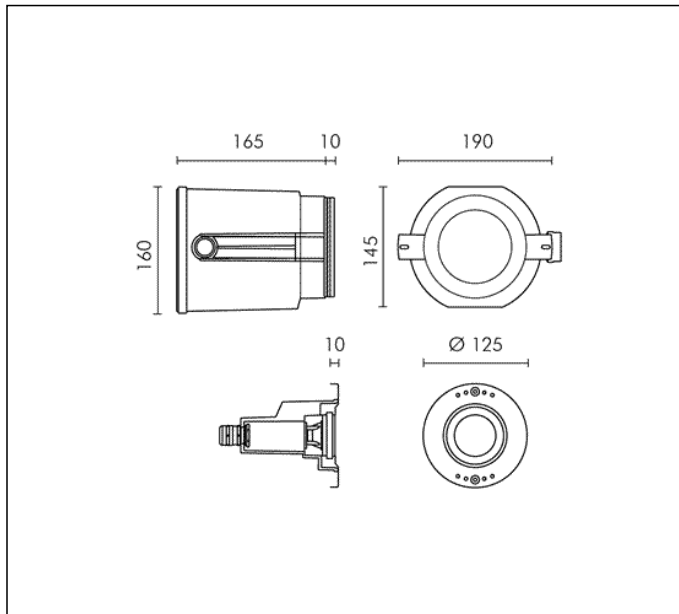


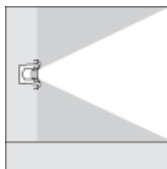
TECHNICAL DATA SHEET ART. S.3609.19 - MICROPOOL

Available until 31/12/2017 but subject to stock levels



QRCBC 50W ES 12V GU5,3

Rated input power: 50W
(LOR: --)
Without trasformer



CE III IP 68 - 3m **B**

PRODUCT TYPE

Submersion luminaire. IP rating IP 68

MATERIAL CHARACTERISTICS

Talc-filled technopolymer housing. Marine grade stainless steel AISI 316L front trim 2 mm thick. A4 grade Stainless Steel screws with 2,5-3% molybdenum content which increases the resistance against corrosion. Toughened transparent glass 10mm thick MICROPOOL, 12mm thick MINIPOOL/POOL. Mechanical resistance IK 10 Silicone gaskets.

LIGHTING PERFORMANCE

The holes along the ring of the luminaire allow for water circulation and work as an effective cooling system: the water enters the lower holes, circulates inside the recessing box and, once it's heated, it flows out of the upper holes. Lamp fixed position. LOR --

RECESSING BOX

Recessing box in technopolymer with front ring in stainless steel AISI 316L with cable entry on all 4 sides also allows: 1) Easy wiring; 2) Easy access to the fitting for maintenance purposes.

WIRING

Single cable entry with M20 brass cable gland. Luminaire hard wired with 6 m. cable (2 x 1,5 mm²) cable type H07RN8-F for MICROPOOL, 6 m. cable (2 x 2,5 mm²) cable type H07RN8-F for MINIPOOL and 8 m. cable (2 x 2,5mm²) cable type H07RN8-F for POOL closed by cable gland and sealed with B component epoxy resin, wired internally protected by silicon sheaths Corrugated plastic pipe 5m long for MICROPOOL and MINIPOOL, 7m long for POOL. MICROPOOL, MINIPOOL and POOL with cold white led work also with traditional systems 12V CA (proper to substitute existing lamps for swimming pool with magnetic transformer 230V/12V CA). Isolation: CLASS III. Available colours: Stainless steel (cod.19). Weight: 2.5 Kg

Lamp included.

Not suitable for immersion in sea water.

Suitable for swimming pools in concrete and metal, recessed to the wall and on the bottom.

POOL REGISTERED DESIGN

This luminaire is compatible with bulbs of the energy classes: **B**. The luminaire is sold with a bulb of the energy class: **B** (Regulation UE 874/2012).

TECHNICAL DATA SHEET ART. S.3609.19 - MICROPOOL ACCESSORIES



S.3660
JUNCTION BOX IP65*
Junction box with cable glands for 3 cables IN (possibility of 3 more cables IN with S.3670 accessories)
Maximum load capacity 500Kg
Dimensions 300mm x300mm x230mm



S.3670
1 ADDITIONAL CABLE GLAND
Required for the connection of over 2 luminaires to the junction box /power supply.



S.3662
JUNCTION BOX WITH POWER SUPPLY
100VA 240V/12V c.a.
IP65 power supply for: N°2 Micropool 12V 50W or N°1 Minipool 12V 90W
maximum load capacity 500Kg
Dimensions 200mm x200mm x220mm



S.3661
JUNCTION BOX WITH POWER SUPPLY
180VA 240V/12V c.a.
IP65 power supply for: N°3 Micropool 12V 50W* or N°2 Minipool 12V 90W
maximum load capacity 500Kg
Dimensions 300mm x300mm x230mm
* = require 1 x S.3670 additional cable gland

Available until 31/12/2017 but subject to stock levels