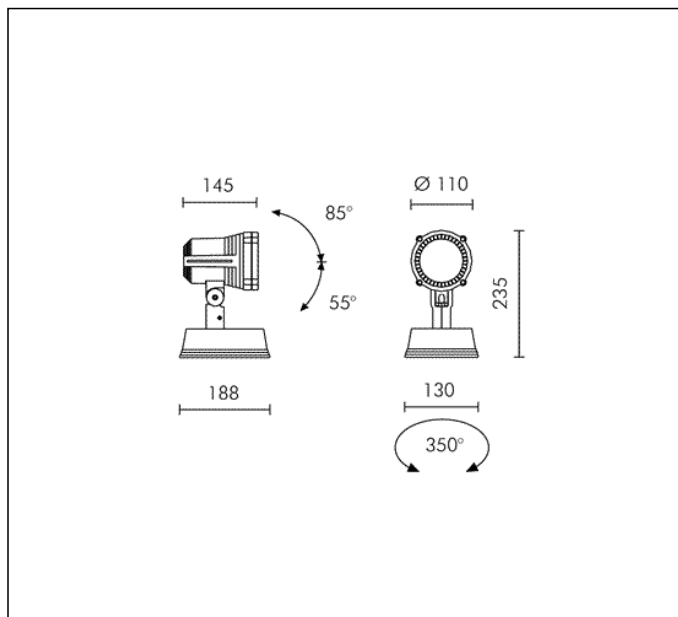
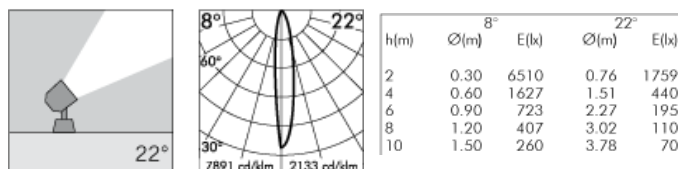


TECHNICAL DATA SHEET ART. S.3566 - MINITECHNO SPOT



HIT-TC CRI 35W G8,5 3300lm
 Rated luminaire luminous flux: 1716lm
 Rated input power: 44W
 Luminaire efficacy: 39lm/W (LOR: 52%)
 Magnetic transformer 230÷240V 50Hz



* Relief measured with PHILIPS CDM-TC lamp



PRODUCT TYPE

Projector. IP rating IP 65

MATERIAL CHARACTERISTICS

Aluminium die cast housing in EN AB-47100 (low copper content) with high resistance against corrosion. Stone wash surface treatment prior to painting process. A4 grade Stainless Steel screws with 2,5-3% molybdenum content which increases the resistance against corrosion. Pre treated Silicone Gaskets. Painting Process : 3 Step Process

1) Surface treatment with BONDERITE. A heavy metal free chemical surface treatment containing ceramic nano particles giving a cohesive, inorganic and highly dense protective coating. 2) PRE POLYMERIZATION a process of introducing an epoxy primer with excellent characteristics to the paint which also offers very high resistance to oxidation due to its Zinc content. 3) POLYMERIZATION a process with the application of polyester powder with high resistance against UV rays and harsh weather conditions. Resistance test protection for Marine applications for 1200h. 4 mm thick tempered glass diffuser. Mechanical resistance IK 06 Maximum load capacity --

LIGHTING PERFORMANCE

The lathed anodized reflector is composed of 99,98% pure anodized aluminium with a bright polish finish (with HIT lamp version). LOR 52%

INSTALLATION AND MAINTENANCE

The projector is supplied with graduated ferrules on both sides of the fitting. Power supply connection takes place by means of a disconnecting switch. This facilitates installation on walls because you can attach the base and do the wiring, positioning the complete unit at the end of the installation.

WIRING

Single cable entry. Isolation: CLASS I . Available colours: Aluminium grey (cod.14), Anthracite grey (cod.24). Weight: 2.9 Kg Glow Wire test: 850°C

Lamp not included.

This luminaire is compatible with bulbs of the energy classes: A+ (Regulation UE 874/2012).

TECHNICAL DATA SHEET ART. S.3566 - MINITECHNO SPOT ACCESSORIES



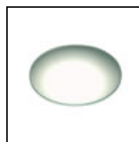
**S.3550
PROTECTIVE GRILL**
In die-cast aluminium. To be installed instead of the aluminium ring holder.



**S.3553
VISOR**
In die-cast aluminium. To be installed instead of the aluminium ring holder.



**S.3554
STAKE IN POLYPROPYLENE**
Colour: black (code 09)
Total length = 420 mm.
The 90 mm upper part must stay out of the ground level, according with the norms.
(not suitable for REEF bollard versions)



**S.3504
WIDE BEAM LENS**
It enlarges the standard beam:
It enlarges the standard beam from 22° to ~ 40°.



**S.3502
ELLIPSOIDAL BEAM LENS**
It modifies the standard beam:
For versions with 8° reflector. It modifies the standard beam from 8° to ~ 14°x50°.

Further information

FIXING BASE

