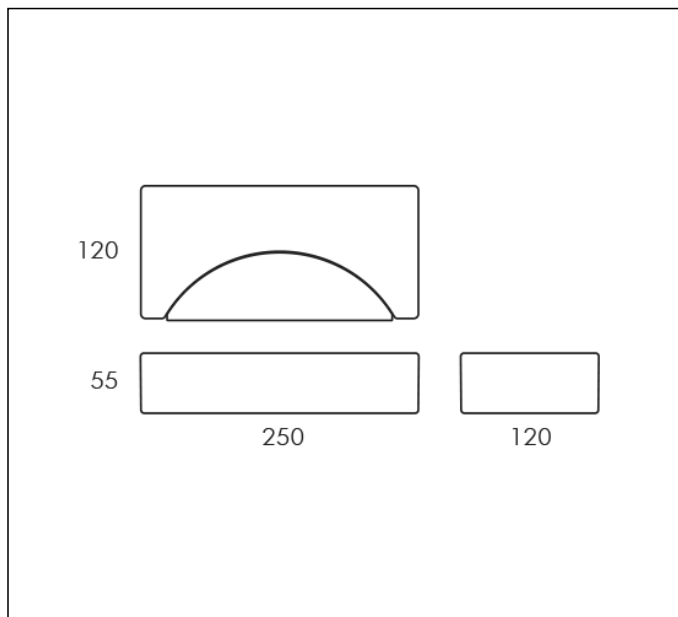
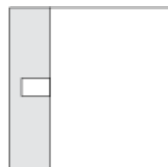


TECHNICAL DATA SHEET ART. B.9000W - BRICK LIGHT WALL RECESSED



MODULES LED 3000K 24V 300lm CRI 80
 Rated luminaire luminous flux: 120lm
 Rated input power: 2.5W
 Luminaire efficacy: 48lm/W
 Without transformer



PRODUCT TYPE

Wall recessed luminaire (version B.9000W). Surface mounted luminaire (version B.9005W). IP rating IP 65

MATERIAL CHARACTERISTICS

Base in aluminium die cast housing in EN AB-47100 (low copper content) with high resistance against corrosion. Stone wash surface treatment prior to painting process. A4 grade Stainless Steel screws with 2,5-3% molybdenum content which increases the resistance against corrosion. Diffuser made of acid-etched pressed glass. Painting Process : 3 Step Process

1) Surface treatment with BONDERITE. A heavy metal free chemical surface treatment containing ceramic nano particles giving a cohesive, inorganic and highly dense protective coating. 2) PRE POLYMERIZATION a process of introducing an epoxy primer with excellent characteristics to the paint which also offers very high resistance to oxidation due to its Zinc content. 3) POLYMERIZATION a process with the application of polyester powder with high resistance against UV rays and harsh weather conditions. Resistance test protection for Marine applications for 1200h. Mechanical resistance IK 10. Compression resistance: Full brick 60N/mm², BRICK LIGHT 100N/mm².

LIGHTING PERFORMANCE

LOR --

INSTALLATION AND MAINTENANCE

This product has been manufactured with hand crafted procedures, therefore small imperfections, subsidence of the glass surface, actual cracks and future, colour ripples and variations over time, are deliberately present and they are a feature of the glass, proving the hand-made manufacturing procedure.

WIRING

Luminaire hard wired with 5m single neoprene cable for installation in exposed brick walls or other construction materials in place (version B.9000W). Luminaire operating on Lithium polymers fed Battery via a micro USB plug with a maximum power of 8 hours to be used as a portable decorative luminaire for the exterior. ON-OFF switch concealed at the bottom of the base and lateral three step (30% - 70%- 100%) dimming switch. Supplied with Micro USB cable. Power supply 230V available on request (version B.9005W). Isolation: CLASS III . Available colours: White (cod.01). Weight: 3 Kg Glow Wire test: --

Lamp included.

BRICK LIGHT PATENT PENDING, REGISTERED DESIGN

Brick Light has been developed with reference to the standard Italian brick.

This luminaire contains built-in LED modules with energy class: A, A+, A++. In case of damage or malfunction please contact the manufacturer to receive additional instructions on how to replace and relative spare parts to order. The LED modules cannot be handled in the luminaire by the end user (Regulation UE 874/2012).

LED circuit boards are engineered accordingly to actual Lumen Maintenance regulation (LM80) and Technical Memorandum (TM21) where uniformity and quality of light is 50.000 hours referred to L70 B20 Ta 25°C.

Lifecycle refers to LED circuit boards only, all others components of the luminaire are excluded.

