

ZIRKOL CIRCLE WALL

Suitable for indirect and decorative lighting, Zirkol Wall is the new piece of the collection, with circular shape and wall fixing. Available with black finish and three different LED colour temperatures: 2700K, 3000K or 4000K. The length of the included rods allow the creation of different compositions with several lamps, for personalized ambient lighting.



Ø 1M | 2700K

LAMPING

| | |
|-------------------|--|
| Source | linear LED |
| Total power | 45W |
| Emission | indirect diffused |
| Switching | DALI 1-100% |
| Tension | 220/240V |
| Color temperature | 2700K |
| Luminous flux | 2616lm |
| Typ CRI | 90 |
| Energy class | E |
| IP class | 20 |
| Dimensions | ø100x5cm |
| Materials | aluminium |
| Notes | remote driver RAL 9005black shipped assembled. 1 x driver WALIM60W24VIN 1 x dimmer interface WDIMDALIHP 3 x tige 5 cm 3 x tige 16 cm |
| Net lamp weight | 4 kg |

Codes

BZRC4210G15DNE

Structure

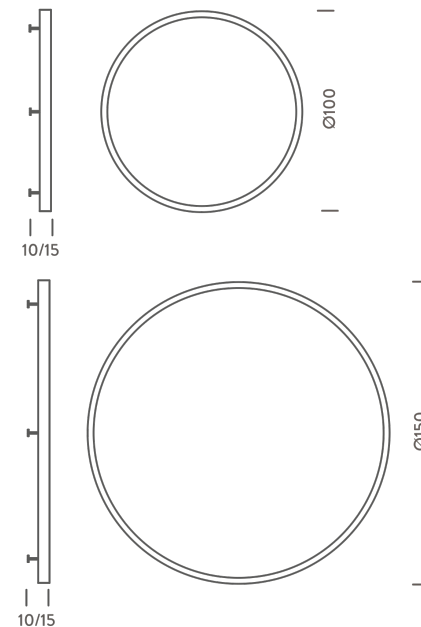
black

PACKAGE

Package 01

Dimension: 110x110x15 cm / Gross weight: 6,5 kg

Certificazioni



Ø 1M | 3000K

LAMPING

| | |
|-------------------|--|
| Source | linear LED |
| Total power | 45W |
| Emission | indirect diffused |
| Switching | DALI 1-100% |
| Tension | 220/240V |
| Color temperature | 3000K |
| Luminous flux | 2769lm |
| Typ CRI | 90 |
| Energy class | E |
| IP class | 20 |
| Dimensions | ø100x5cm |
| Materials | aluminium |
| Notes | remote driver RAL 9005black shipped assembled. 1 x driver WALIM60W24VIN 1 x dimmer interface WDIMDALIHP 3 x tige 5 cm 3 x tige 16 cm |
| Net lamp weight | 4 kg |

Codes

BZRC4210G15WNE

Structure

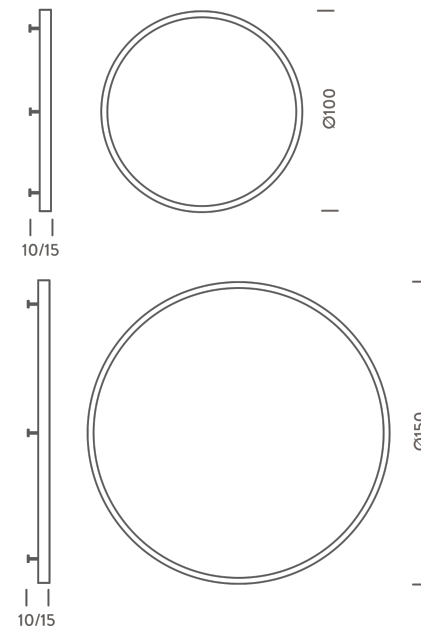
black

PACKAGE

Package 01

Dimension: 110x110x15 cm / Gross weight: 6,5 kg

Certificazioni



Ø 1M | 4000K

LAMPING

| | |
|-------------------|--|
| Source | linear LED |
| Total power | 45W |
| Emission | indirect diffused |
| Switching | DALI 1-100% |
| Tension | 220/240V |
| Color temperature | 4000K |
| Luminous flux | 3077lm |
| Typ CRI | 90 |
| Energy class | D |
| IP class | 20 |
| Dimensions | ø100x5cm |
| Materials | aluminum |
| Notes | remote driver RAL 9005black shipped assembled. 1 x driver WALIM60W24VIN 1 x dimmer interface WDIMDALIHP 3 x tige 5 cm 3 x tige 16 cm |
| Net lamp weight | 4 kg |

Codes

BZRC4210G15NNE

Structure

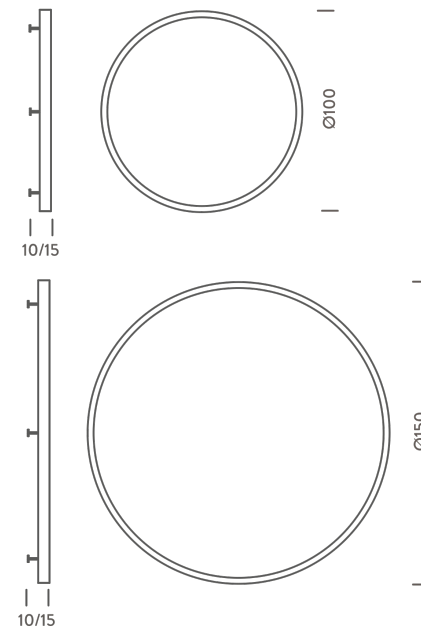
black

PACKAGE

Package 01

Dimension: 110x110x15 cm / Gross weight: 6,5 kg

Certificazioni



Ø 1,5M | 2700K

LAMPING

| | |
|-------------------|--|
| Source | linear LED |
| Total power | 68W |
| Emission | indirect diffused |
| Switching | DALI 1-100% |
| Tension | 220/240V |
| Color temperature | 2700K |
| Luminous flux | 3923lm |
| Typ CRI | 90 |
| Energy class | E |
| IP class | 20 |
| Dimensions | ø150x5cm |
| Materials | aluminum |
| Notes | remote driver RAL 9005 black shipped assembled. 1 x driver WALIM150W24VIN 1 x dimmer interface WDIMDALIHP 3 x tige 5 cm 3 x tige 16 cm |
| Net lamp weight | 4 kg |

Codes

BZRC4215G15DNE

Structure

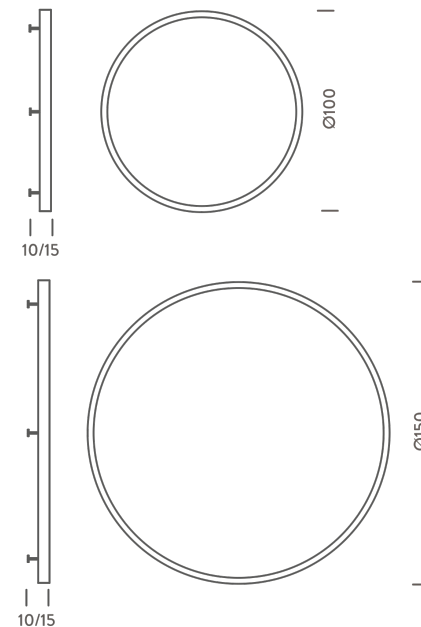
black

PACKAGE

Package 01

Dimension: 160x160x15 cm / Gross weight: 6,5 kg

Certificazioni



Ø 1,5M | 3000K

LAMPING

| | |
|-------------------|--|
| Source | linear LED |
| Total power | 68W |
| Emission | indirect diffused |
| Switching | DALI 1-100% |
| Tension | 220/240V |
| Color temperature | 3000K |
| Luminous flux | 4154lm |
| Typ CRI | 90 |
| Energy class | E |
| IP class | 20 |
| Dimensions | ø150x5cm |
| Materials | aluminum |
| Notes | remote driver RAL 9005 black shipped assembled. 1 x driver WALIM150W24VIN 1 x dimmer interface WDIMDALIHP 3 x tige 5 cm 3 x tige 16 cm |
| Net lamp weight | 4 kg |

Codes

BZRC4215G15WNE

Structure

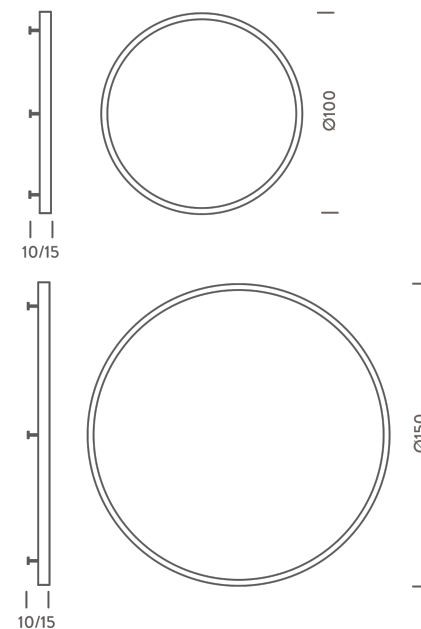
black

PACKAGE

Package 01

Dimension: 160x160x15 cm / Gross weight: 6,5 kg

Certificazioni



Ø 1,5M | 4000K

LAMPING

| | |
|-------------------|--|
| Source | linear LED |
| Total power | 68W |
| Emission | indirect diffused |
| Switching | DALI 1-100% |
| Tension | 220/240V |
| Color temperature | 4000K |
| Luminous flux | 4616lm |
| Typ CRI | 90 |
| Energy class | D |
| IP class | 20 |
| Dimensions | ø150x5cm |
| Materials | aluminum |
| Notes | remote driver RAL 9005 black shipped assembled. 1 x driver WALIM150W24VIN 1 x dimmer interface WDIMDALIHP 3 x tige 5 cm 3 x tige 16 cm |
| Net lamp weight | 4 kg |

Codes

BZRC4215G15NNE

Structure

black

PACKAGE

Package 01

Dimension: 160x160x15 cm / Gross weight: 6,5 kg

Certificazioni

UK
CA

