

# SHARP ZOOM

SHARP ZOOM is a LED projector suitable for accent lighting in indoor applications. Adjustment of the mechanic frontal to alter the optic beam from 7° to 55°. Composed of an aluminium body and a plastic track adapter and available in three colour temperatures. Varnished white (with grey details) or black anodized aluminum finishes. ZOOM has an on-board dimmer and an integrated driver.



1-10V | 2700K

## LAMPING

Source	LED spot
Total power	25W
Emission	Direct adjustable 7°-55°
Switching	dimmable 1-10V on board
Tension	220/240V
Color temperature	2700K
Luminous flux	1546lm (55°)
Initial luminaire efficacy	60lm/W
Initial chromaticity	SDCM < 2
Typ CRI	> 94
IP class	20
Dimensions	26,5x29,2x9cm
Materials	Aluminum + polycarbonate
Ambient temperature range	0° / 35°
Performance ambient temperature	25°
Mechanical impact protection code	IK02
Notes	track connector 3C
Customization options	CRI, Temperature colour, Casambi
Accessories	Frontal lens, Linear
Net lamp weight	1,5 kg

## Codes

MPFB8001929DBG  
MPFB8001929DAN

## Structure

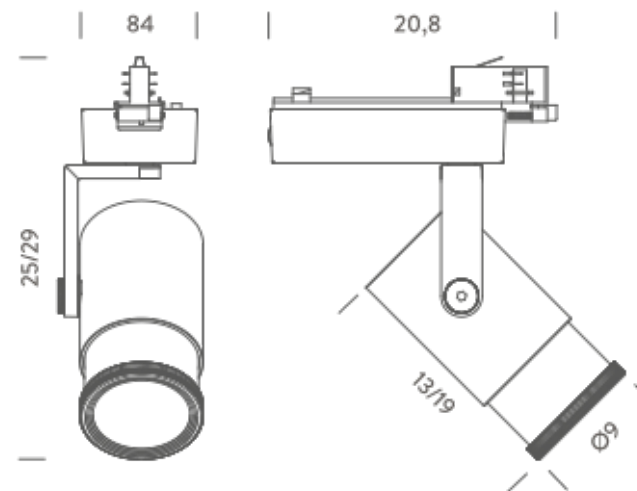
white  
black

## PACKAGE

Package 01

Dimension: 32x30,5x12,5 cm / Gross weight: 1,8 kg

## Certificazioni



1-10V | 3000K

## LAMPING

Source	LED spot
Total power	25W
Emission	Direct adjustable 7°-55°
Switching	dimmable 1-10V on board
Tension	220/240V
Color temperature	3000K
Luminous flux	1560lm (55°)
Initial luminaire efficacy	60lm/W
Initial chromaticity	SDCM < 2
Typ CRI	> 94
IP class	20
Dimensions	26,5x29,2x9cm
Materials	Aluminum + polycarbonate
Ambient temperature range	0° / 35°
Performance ambient temperature	25°
Mechanical impact protection code	IK02
Notes	track connector 3C
Customization options	CRI, Temperature colour, Casambi
Accessories	Frontal lens, Linear
Net lamp weight	1,5 kg

## Codes

MPFB8001929WBG  
MPFB8001929WAN

## Structure

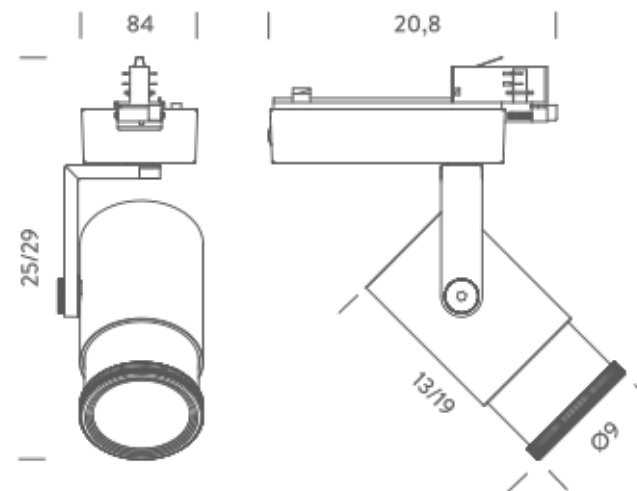
white  
black

## PACKAGE

Package 01

Dimension: 32x30,5x12,5 cm / Gross weight: 1,8 kg

## Certificazioni



1-10V | 4000K

## LAMPING

Source	LED spot
Total power	25W
Emission	Direct adjustable 7°-55°
Switching	dimmable 1-10V on board
Tension	220/240V
Color temperature	4000K
Luminous flux	1890lm (55°)
Initial luminaire efficacy	60lm/W
Initial chromaticity	SDCM < 2
Typ CRI	> 94
IP class	20
Dimensions	26,5x29,2x9cm
Materials	Aluminum + polycarbonate
Ambient temperature range	0° / 35°
Performance ambient temperature	25°
Mechanical impact protection code	IK02
Notes	track connector 3C
Customization options	CRI, Temperature colour, Casambi
Accessories	Frontal lens, Linear
Net lamp weight	1,5 kg

## Codes

MPFB8001929NBG  
MPFB8001929NAN

## Structure

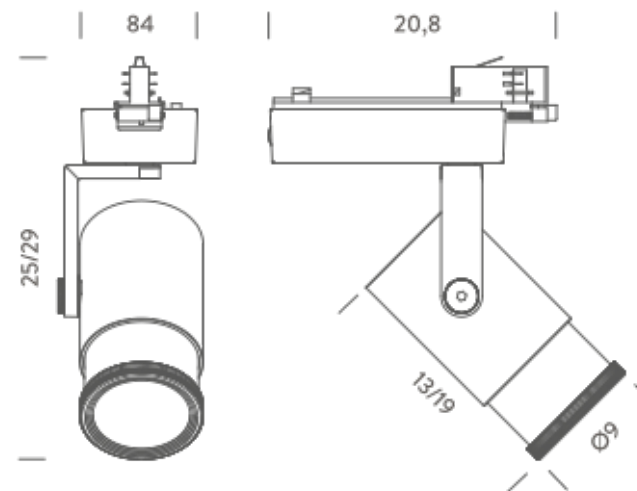
white  
black

## PACKAGE

Package 01

Dimension: 32x30,5x12,5 cm / Gross weight: 1,8 kg

## Certificazioni



## DALI | 2700K

### LAMPING

Source	LED spot
Total power	25W
Emission	Direct adjustable 7°-55°
Switching	DALI
Tension	220/240V
Color temperature	2700K
Luminous flux	1546lm (55°)
Initial luminaire efficacy	60lm/W
Initial chromaticity	SDCM < 2
Typ CRI	> 94
IP class	20
Dimensions	26,5x29,2x9cm
Materials	Aluminum + polycarbonate
Ambient temperature range	0° / 35°
Performance ambient temperature	25°
Mechanical impact protection code	IK02
Notes	track connector 3C
Customization options	CRI, Temperature colour, Casambi
Accessories	Frontal lens, Linear
Net lamp weight	1,5 kg

### Codes

MPFBDA01929DBG  
MPFBDA01929DAN

### Structure

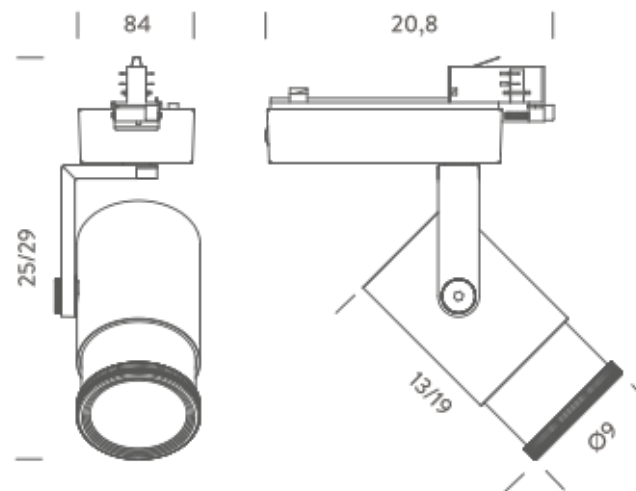
white  
black

### PACKAGE

Package 01

Dimension: 32x30,5x12,5 cm / Gross weight: 1,8 kg

### Certificazioni



## DALI | 3000K

### LAMPING

Source	LED spot
Total power	25W
Emission	Direct adjustable 7°-55°
Switching	DALI
Tension	220/240V
Color temperature	3000K
Luminous flux	1560lm (55°)
Initial luminaire efficacy	60lm/W
Initial chromaticity	SDCM < 2
Typ CRI	> 94
IP class	20
Dimensions	26,5x29,2x9cm
Materials	Aluminum + polycarbonate
Ambient temperature range	0° / 35°
Performance ambient temperature	25°
Mechanical impact protection code	IK02
Notes	track connector 3C
Customization options	CRI, Temperature colour, Casambi
Accessories	Frontal lens, Linear
Net lamp weight	1,5 kg

### Codes

MPFBDA01929WBG  
MPFBDA01929WAN

### Structure

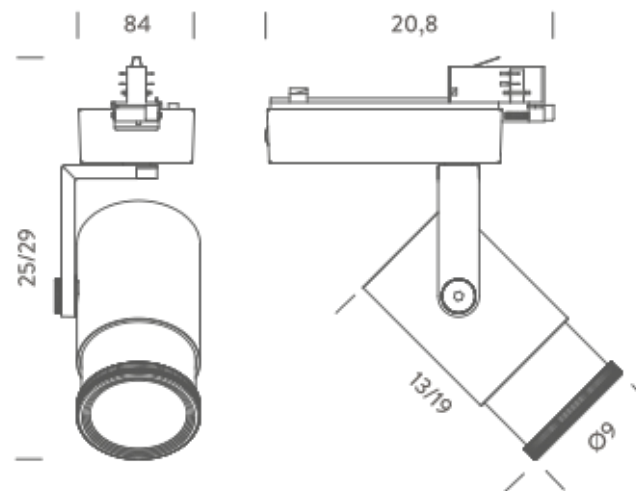
white  
black

### PACKAGE

Package 01

Dimension: 32x30,5x12,5 cm / Gross weight: 1,8 kg

### Certificazioni



## DALI | 4000K

### LAMPING

Source	LED spot
Total power	25W
Emission	Direct adjustable 7°-55°
Switching	DALI
Tension	220/240V
Color temperature	4000K
Luminous flux	1890lm (55°)
Initial luminaire efficacy	60lm/W
Initial chromaticity	SDCM < 2
Typ CRI	> 94
IP class	20
Dimensions	26,5x29,2x9cm
Materials	Aluminum + polycarbonate
Ambient temperature range	0° / 35°
Performance ambient temperature	25°
Mechanical impact protection code	IK02
Notes	track connector 3C
Customization options	CRI, Temperature colour, Casambi
Accessories	Frontal lens, Linear
Net lamp weight	1,5 kg

### Codes

MPFBDA01929NBG  
MPFBDA01929NAN

### Structure

white  
black

### PACKAGE

Package 01

Dimension: 32x30,5x12,5 cm / Gross weight: 1,8 kg

### Certificazioni

