

LOGO WALL

Mario Barbaglia

Wall LED and halogen lamps with adjustable head, in aluminium and printed ABS. In the LED version the perforated reflector is painted in black. Available in black. Widespread adjustable light, dimmable.



HALO

LAMPING

Source	R7s QT-DE (114mm)
Total power	250W
Emission	orientable 140°
Switching	dimnable
Tension	230V
Materials	metal + plastic
Notes	orientable 140°
Net lamp weight	0,9 kg

Codes

LOG KNN 31

Structure/Diffuser

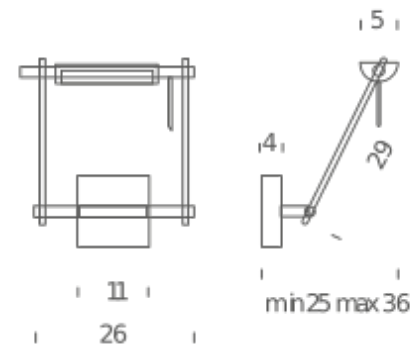
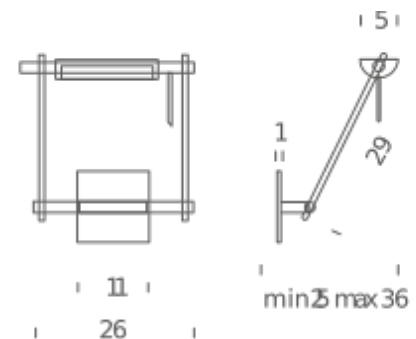
black/black

PACKAGE

Package 01

Dimension: 34x13x39 cm / Gross weight: 1,4 kg

Certificazioni



LED

LAMPING

Source	LED board
Total power	16W
Emission	orientable 140°
Switching	not dimmable
Tension	110/230V
Color temperature	2700K
Luminous flux	1380lm (source luminous flux)
Typ CRI	85
Energy class	A+
Materials	metal + plastic
Notes	orientable 140°
Net lamp weight	2,2 kg

Codes

LOG LNN 31

Structure/Diffuser

black/black

PACKAGE

Package 01

Dimension: 40x40x20 cm / Gross weight: 3,2 kg

Certificazioni

