

# KEPLER MINOR

*Arihiro Miyake*

Small version of the Kepler lamp. Suspension lamp in extruded aluminum powder coated. Available in uplight and down light versions in white, black and the new gold finish. The continuous line is made through a three-dimensional process of extruded aluminum, designed based on the geometric principle of the Moebius strip.



# DOWNLIGHT 2700K

## LAMPING

Source	Linear LED
Total power	69W
Emission	diffused downlight
Switching	dimmable 1-10V
Tension	110/240V
Color temperature	2700K
Luminous flux	4000lm
Typ CRI	85
Energy class	A+
Materials	aluminium + PC
Notes	adjustable cable length from 2,5m to 0,4m, DALI version on request, TRIAC VERSION on request
Net lamp weight	6 kg

## Codes

KEM LWW 54  
KEM LNN 54  
KEM LOW 54

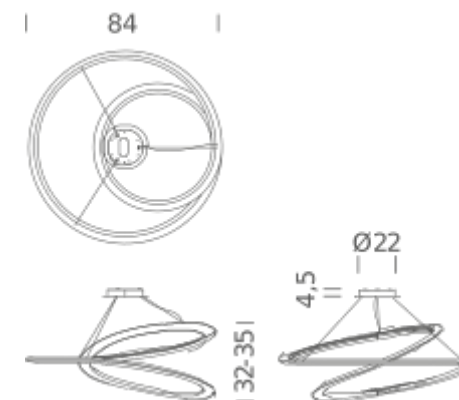
## Structure

white  
black  
gold painted

## PACKAGE

Package 01 Dimension: 90x90x45 cm / Gross weight: 11 kg

## Certificazioni



# DOWNLIGHT 3000K

## LAMPING

Source	Linear LED
Total power	69W
Emission	diffused downlight
Switching	dimmable 1-10V
Tension	110/240V
Color temperature	3000K
Luminous flux	4000lm
Typ CRI	85
Energy class	A+
Materials	aluminium + PC
Notes	adjustable cable length from 2,5m to 0,4m, DALI version on request
Net lamp weight	6 kg

## Codes

KEM LWW 52  
KEM LNN 52  
KEM LOW 52

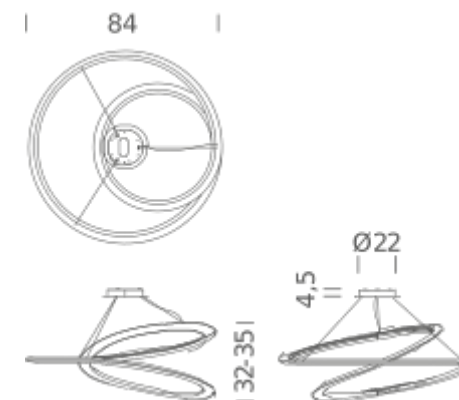
## Structure

white  
black  
gold painted

## PACKAGE

Package 01 Dimension: 90x90x45 cm / Gross weight: 11 kg

## Certificazioni



# UPLIGHT 2700K

## LAMPING

Source	Linear LED
Total power	69W
Emission	diffused uplight
Switching	dimmable 1-10V
Tension	110/240V
Color temperature	2700K
Luminous flux	4000lm
Typ CRI	85
Energy class	A+
Materials	aluminium + PC
Notes	adjustable cable length from 2,5m to 0,4m, DALI version on request
Net lamp weight	6 kg

## Codes

KEM LWW 53  
KEM LNN 53  
KEM LOW 53

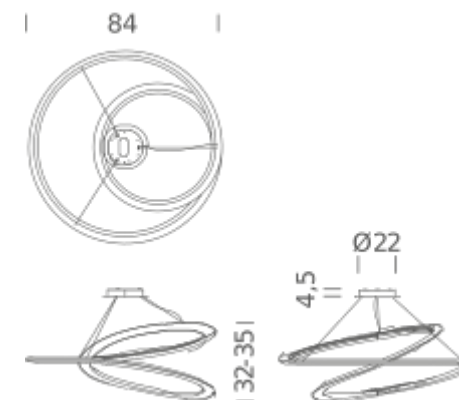
## Structure

white  
black  
gold painted

## PACKAGE

Package 01 Dimension: 90x90x45 cm / Gross weight: 11 kg

## Certificazioni



# UPLIGHT 3000K

## LAMPING

Source	Linear LED
Total power	69W
Emission	diffused uplight
Switching	dimmable 1-10V
Tension	110/240V
Color temperature	3000K
Luminous flux	4000lm
Typ CRI	85
Energy class	A+
Materials	aluminium + PC
Notes	adjustable cable length from 2,5m to 0,4m, DALI version on request
Net lamp weight	6 kg

## Codes

KEM LWW 51  
KEM LNN 51  
KEM LOW 51

## Structure

white  
black  
gold painted

## PACKAGE

Package 01 Dimension: 90x90x45 cm / Gross weight: 11 kg

## Certificazioni

