

ELLISSE PENDANT DOUBLE MEGA

Federico Palazzari

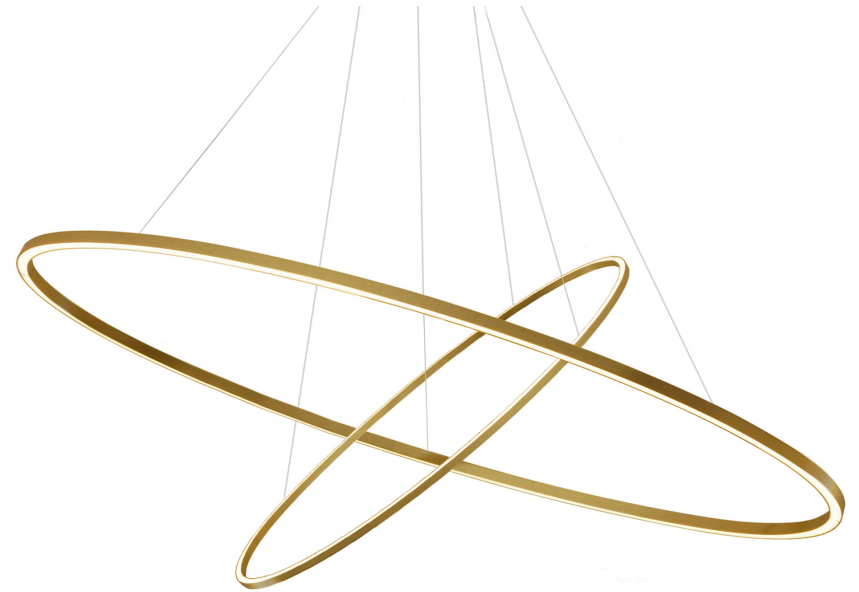
Collection of LED pendants, floor/wall lamps available in different versions: major, minor, double, triple and mega provides a direct or indirect diffused light.

In extruded aluminum in different versions: matt lacquered in the finishes, white, black and gold painted.

Equipped with an opal diffuser.

The lamps are made using a proprietary extrusion coupling technology.

Ellisse Major is also available as floor or wall versions and is provided with a black marble base or a wall hook accessory.



LED 2700K

LAMPING

Source	Linear LED
Total power	90W
Emission	diffused orientable uplight(major), diffused orientable downlight (mega)
Switching	dimnable 1-10V
Tension	110/240V
Color temperature	2700K
Luminous flux	2825+1850lm (real luminous output)
Typ CRI	85
Materials	Aluminium
Notes	adjustable cable length from 2,5m to 0,4m, DALI version on request, TRIAC VERSION on request
Net lamp weight	5,5 kg

Codes

ELP LW2 5A
ELP LN2 5A
ELP LO2 5A

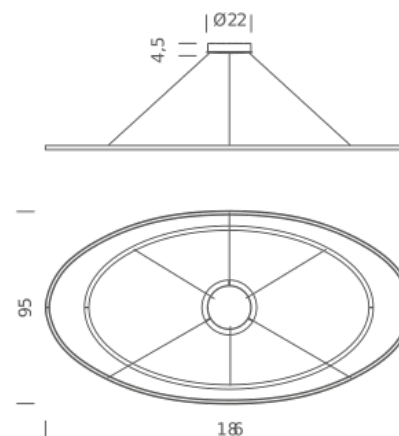
Structure/Diffuser

white/white
black/white
gold painted/white

PACKAGE

Package 01 Dimension: 14x101x201 cm / Gross weight: 7,5 kg

Certificazioni



LED 3000K

LAMPING

Source	Linear LED
Total power	90W
Emission	diffused orientable uplight(major), diffused orientable downlight (mega)
Switching	dimnable 1-10V
Tension	110/240V
Color temperature	3000K
Luminous flux	2825+1850lm (real luminous output)
Typ CRI	85
Materials	Aluminium
Notes	adjustable cable length from 2,5m to 0,4m, DALI version on request
Net lamp weight	5,5 kg

Codes

ELP LWW 5A
ELP LNW 5A
ELP LOW 5A

Structure/Diffuser

white/white
black/white
gold painted/white

PACKAGE

Package 01 Dimension: 14x101x201 cm / Gross weight: 7,5 kg

Certificazioni

