

UT SPOT TRACK WALL-WASHER Ø86 ON BOARD DIMMER INCLUDED

Number of heads	1
Mounting	Track mounting
Lamps description	LED Array High Performances 32,8W 3116lm 3000K CRI 90
Voltage (V)	220/240
Environment	Indoor
Notes	FLOS three-phase lighting track luminaires are designed and fully tested for tracks recommended by FLOS. Compatibility is guaranteed with three-phase track produced by Nordic Aluminium. Compatibility with Eutrac under request.



**UT Spot Track Wall-Washer
Ø86 On Board Dimmer Included**
designed by FLOS Architectural

Spotlight to be installed on 3-phase track, with LED light source. 220-240V, 50-60Hz power supply integrated.

- 09.4953.30A - 2116lm White
- 09.4953.14A - 2116lm Black

OPTICAL

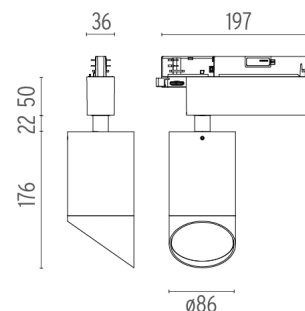
Reflector finish	Aluminum
Aiming	Adjustable
Light distribution symmetry	Symmetric
Beam angle	50°

ELECTRICAL

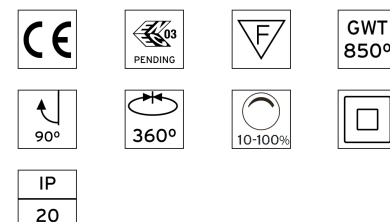
Transformer availability	Included
Transformer mounting	Integral
Transformer type	Electronic dimmable
Emergency	Without
Insulation class	Class II

PHYSICAL

Spot diameter (mm)	86
Construction material	Aluminium
Weight (kg)	1,55



CERTIFICATIONS



UT Spot Track Wall-Washer Ø86 On Board Dimmer Included . Lamps



LED Array

Lamp category:

LED

Socket:

Special base

Lamp type:

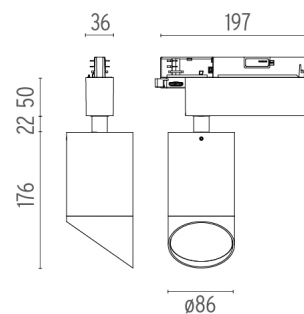
LED Array



**UT Spot Track Wall-Washer
Ø86 On Board Dimmer Included**
designed by FLOS Architectural

Spotlight to be installed on 3-phase track, with LED light source. 220-240V, 50-60Hz power supply integrated.

- 09.4953.30A - 21 | 16lm White
- 09.4953.14A - 21 | 16lm Black



CERTIFICATIONS

