

UT SPOT TRACK WALL-WASHER Ø86 DALI VERSION

Number of heads	1
Mounting	Track mounting
Lamps description	LED Array High Performances 32,8W 3770 lm 3000K CRI 80
Voltage (V)	220/240
Environment	Indoor
Notes	FLOS three-phase lighting track luminaires are designed and fully tested for tracks recommended by FLOS. Compatibility is guaranteed with three-phase track produced by Nordic Aluminium. Compatibility with Eutrac under request. FLOS three-phase DALI track luminaires are designed for Pulse DALI from Nordic Aluminium.

OPTICAL

Reflector finish	Aluminum
Aiming	Adjustable
Light distribution symmetry	Symmetric
Beam angle	50°

ELECTRICAL

Transformer availability	Included
Transformer mounting	Integral
Transformer type	Electronic dimmable dali
Emergency	Without
Insulation class	Class II

PHYSICAL

Spot diameter (mm)	86
Construction material	Aluminium
Weight (kg)	1,55

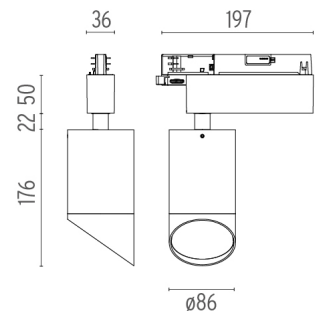


UT Spot Track Wall-Washer Ø86 Dali Version

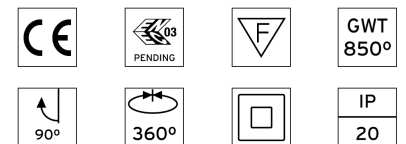
designed by FLOS Architectural

Spotlight to be installed on 3-phase track, with LED light source. 220-240V, 50-60Hz power supply integrated.

- 09.4950.30ADA - 2560lm White
- 09.4950.14ADA - 2560lm Black



CERTIFICATIONS



UT Spot Track Wall-Washer Ø86 Dali Version . Lamps



LED Array

Lamp category:

LED

Socket:

Special base

Lamp type:

LED Array

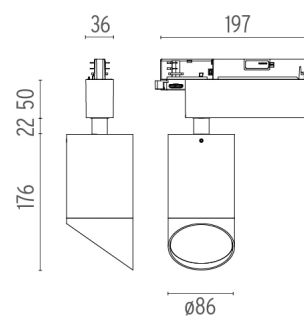


UT Spot Track Wall-Washer Ø86 Dali Version

designed by FLOS Architectural

Spotlight to be installed on 3-phase track, with LED light source.
220-240V, 50-60Hz power supply integrated.

- 09.4950.30ADA - 2560lm White
- 09.4950.14ADA - 2560lm Black



CERTIFICATIONS

