

DECOFIX ROUND 2L

Number of heads	2
Mounting	Ceiling recessed
Lamps description	2 x LED Array DC 500 mA 9,2W 744 lm 2700K CRI 90
Luminaire luminous flux	Extreme Cut-off. See reference number
Environment	Indoor
Notes	All versions have interchangeable screening cylinders in 3 colours: black, gold or silver, incorporated into the light fixture.

OPTICAL

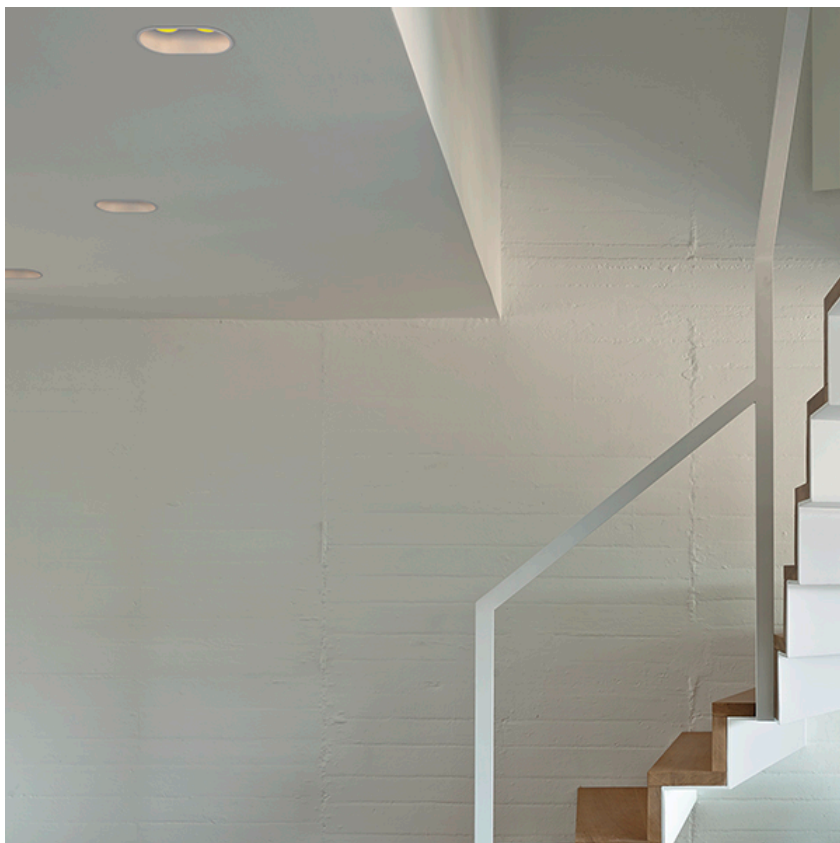
Aiming	Fixed
Light distribution symmetry	Symmetric

ELECTRICAL

Transformer availability	Separate item
Transformer mounting	Remote
Transformer type	Electronic, Electronic dimmable, Electronic dimmable 1-10V, Electronic dimmable dali
Emergency	Without
Insulation class	Class III

PHYSICAL

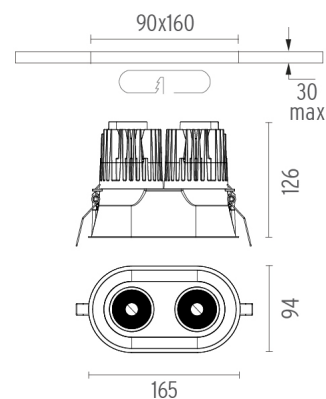
Recessed depth (mm)	126
Construction material	Thermoplastic
Weight (kg)	0,80



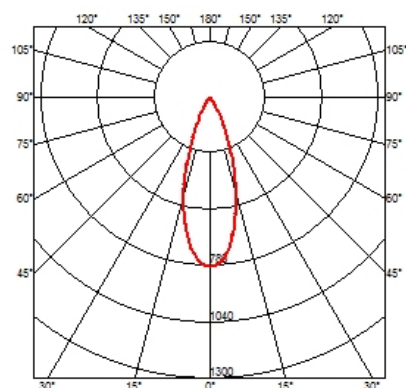
Decofix Round 2L
designed by FLOS Architectural

<div>Recessed luminaire with 2 lights for LED light source. Power supply not included. Requires one power supply for each optic body.</div>

- 09.3116.30A - 36° - 2x439lm White
- 09.3116.14A - 39° - 2x407lm Black



CERTIFICATIONS



Decofix Round 2L . Accessories

Power Supply



60.8650

Constant Current Power Supply for LED. 20W / 500 mA

Non dimmable continuous current power supply 220/240V - 50/60Hz. (110V = 12W)

Maximum length of 1.5 mm² secondary conductor (m): 50

Maximum length of 2.5 mm² secondary conductor (m): 50



60.8534

Constant Current Power Supply for LED. 32W

Continuous current power supply of 32W, 230/240V - 50/60Hz with power current selected through adjustable 350/500/700 mA switch by trailing and leading edge dimming or push dimming.

Maximum length of 1.5 mm² secondary conductor (m): 10

Maximum length of 2.5 mm² secondary conductor (m): 15



60.8533

Constant Current Power Supply for LED. 25W

Continuous current power supply of 25W, 120-240V - 50/60Hz with power current selected through adjustable 350/500/700mA 1-10V switch or push dimming.

Maximum length of 1.5 mm² secondary conductor (m): 10

Maximum length of 2.5 mm² secondary conductor (m): 15



60.8530

Constant Current Power Supply for LED. 25-50W

Continuous current power supply of 25-50W, 220/240V - 50/60Hz with power current selected through adjustable 350/500/550/650/700/750/850/900/1050mA Dali switch, 1-10V switch or push dimming.

Maximum length of 1.5 mm² secondary conductor (m): 10

Maximum length of 2.5 mm² secondary conductor (m): 15

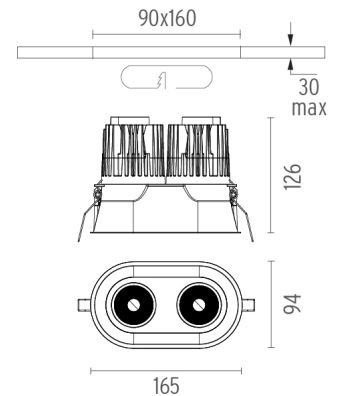


Decofix Round 2L designed by FLOS Architectural

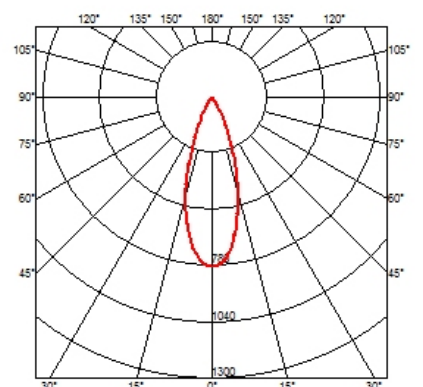
Recessed luminaire with 2 lights for LED light source. Power supply not included. Requires one power supply for each optic body.

09.3116.30A - 36° - 2x439lm White

09.3116.14A - 39° - 2x407lm Black



CERTIFICATIONS



Decofix Round 2L . Lamps



LED Array

Lamp category:

LED

Socket:

Special base

Lamp type:

LED Array



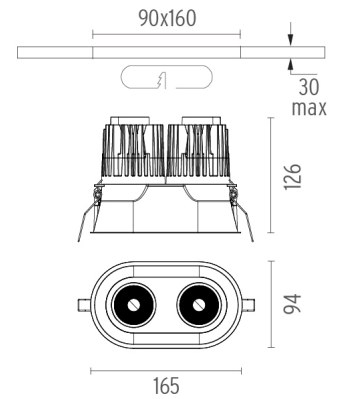
Decofix Round 2L

designed by FLOS Architectural

<div>Recessed luminaire with 2 lights for LED light source. Power supply not included. Requires one power supply for each optic body.</div>

● 09.3116.30A - 36° - 2x439lm White

● 09.3116.14A - 39° - 2x407lm Black



CERTIFICATIONS

