

LIGHT SHADOW FIXED TRIM 8 SPOTS OPTIC FLOOD

Mounting	Ceiling recessed
Lamps description	Power LED 21,6W 2240 lm 3000K CRI 90
Luminaire luminous flux	Extreme Cut-off. See reference number
Environment	Indoor
Notes	Pre-installation frame not required.

OPTICAL

Aiming	Fixed
Light distribution symmetry	Symmetric
Beam angle	33° Flood

ELECTRICAL

Transformer availability	Included
Transformer mounting	Remote
Transformer type	Electronic
Emergency	Without
Insulation class	Class II

PHYSICAL

Length (mm)	287
Recessed depth (mm)	75
Weight (kg)	0,50

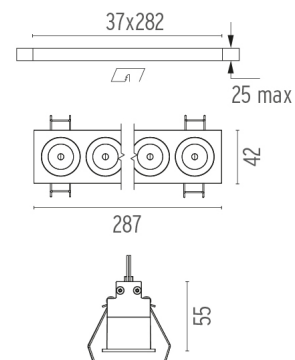


Light Shadow Fixed Trim 8 Spots Optic Flood

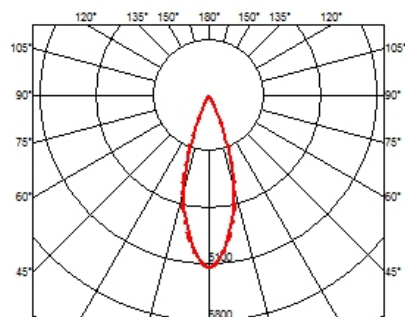
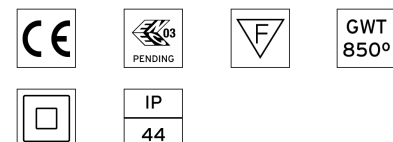
designed by FLOS Architectural

Recessed integrated luminaire with 8 LED lighting spots. Remote power supply included.

	03.9155.40 - 1682lm	White / White
	03.9155.14 - 1682lm	Black / White
	03.9157.40 - 1720lm	White / Chrome
	03.9157.14 - 1720lm	Black / Chrome
	03.9158.40 - 1667lm	White / Matt Gold
	03.9158.14 - 1667lm	Black / Matt Gold
	03.9156.40 - 1634lm	White / Black
	03.9156.14 - 1634lm	Black / Black



CERTIFICATIONS



Light Shadow Fixed Trim 8 Spots Optic Flood . Lamps



Power LED

Lamp category:
LED

Socket:
Special base

Lamp type:
Power LED

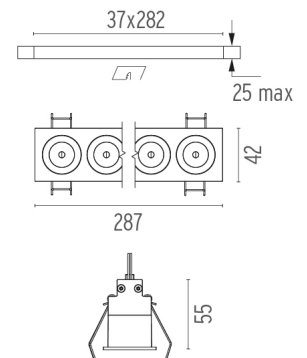


Light Shadow Fixed Trim 8 Spots Optic Flood

designed by FLOS Architectural

Recessed integrated luminaire with 8 LED lighting spots. Remote power supply included.

	03.9155.40 - 1682lm	White / White
	03.9155.14 - 1682lm	Black / White
	03.9157.40 - 1720lm	White / Chrome
	03.9157.14 - 1720lm	Black / Chrome
	03.9158.40 - 1667lm	White / Matt Gold
	03.9158.14 - 1667lm	Black / Matt Gold
	03.9156.40 - 1634lm	White / Black
	03.9156.14 - 1634lm	Black / Black



CERTIFICATIONS

