

## SPOT STRUCTURE 150

<b>Number of heads</b>	1
<b>Mounting</b>	Track mounting
<b>Lamps description</b>	LED Array 22W 2300 lm 3000K CRI 90
<b>Luminaire luminous flux</b>	See reference number
<b>Voltage (V)</b>	48
<b>Environment</b>	Indoor

### OPTICAL

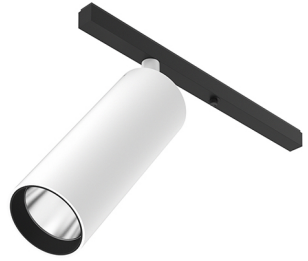
<b>Reflector finish</b>	Aluminum
<b>Aiming</b>	Adjustable
<b>Light distribution symmetry</b>	Symmetric
<b>Beam angle</b>	12° Spot

### ELECTRICAL

<b>Transformer availability</b>	Separate item
<b>Transformer mounting</b>	Remote
<b>Transformer type</b>	Electronic dimmable
<b>Emergency</b>	Without
<b>Insulation class</b>	Class III

### PHYSICAL

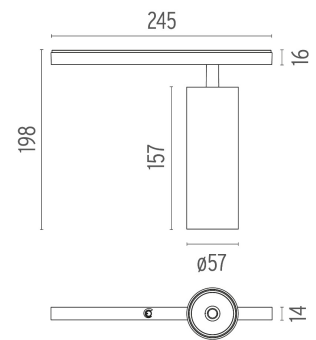
<b>Width (mm)</b>	245
<b>Spot diameter (mm)</b>	57
<b>Construction material</b>	Aluminium
<b>Weight (kg)</b>	0,30



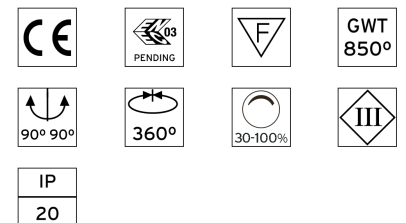
### Spot Structure 150 designed by Vincent Van Duysen

<div>Accent lighting LED module to be installed in The Infra-Structure System.</div>

● 03.6901.40 - 1658lm	White
● 03.6901.14 - 1658lm	Black



### CERTIFICATIONS



## Spot Structure 150 . Accessories

### Optical



● 08.8429.00

**Screening Crosspiece**



○ 08.8431.00

**Elliptical Lens**



○ 08.8432.00

**Flood Lens**



● 08.8428.00

**Honeycomb**



● 08.0526.00

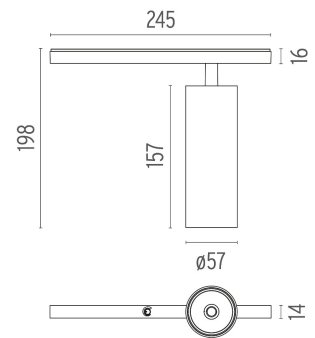
**Snoot Shielding Cone**



### Spot Structure 150 designed by Vincent Van Duysen

<div>Accent lighting LED module to be installed in The Infra-Structure System.</div>

- 03.6901.40 - 1658lm    White
- 03.6901.14 - 1658lm    Black



### CERTIFICATIONS



## Spot Structure 150 . Lamps



**LED Array**

**Lamp category:**  
LED

**Socket:**  
Special base

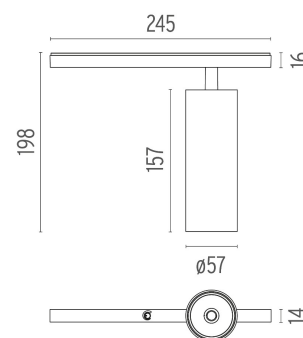
**Lamp type:**  
LED Array



**Spot Structure 150**  
designed by Vincent Van Duysen

<div>Accent lighting LED module to be installed in The Infra-Structure System.</div>

- 03.6901.40 - 1658lm      White
- 03.6901.14 - 1658lm      Black



### CERTIFICATIONS

