

# FLOS

## KAP Ø80 ADJUSTABLE

<b>Number of heads</b>	1
<b>Mounting</b>	Ceiling recessed
<b>Lamps description</b>	LED PAR 16 GZ10 Max 8W
<b>Voltage (V)</b>	220/240
<b>Environment</b>	Indoor
<b>Notes</b>	Fast&Perfect pre-installation frame. To be ordered separately.

### OPTICAL

<b>Aiming</b>	Adjustable
<b>Light distribution symmetry</b>	Symmetric
<b>Beam angle</b>	10°, 25°, 36°, 40°, 60°

### ELECTRICAL

<b>Emergency</b>	Without
<b>Insulation class</b>	Class II

### PHYSICAL

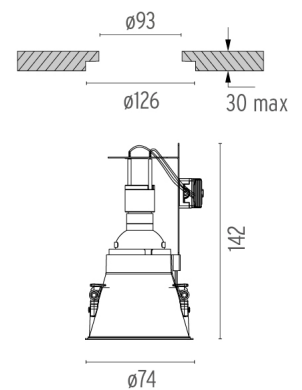
<b>Diameter (mm)</b>	74
<b>Recessed depth (mm)</b>	155
<b>Construction material</b>	Die-cast aluminum
<b>Weight (kg)</b>	0,12



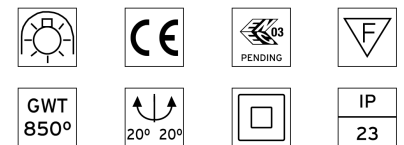
**Kap Ø80 Adjustable**  
designed by FLOS Architectural

Recessed luminaire with main voltage source.

● 03.4237.GL	Gold
● 03.4237.BI	White
● 03.4237.BU	Blue
● 03.4237.74	Black
● 03.4237.CU	Copper



### CERTIFICATIONS



# FLOS

## Kap Ø80 Adjustable . Accessories

### Mounting



08.9102.00

**Installation frame No Trim**



08.9100.00

**Fast&Perfect tool ø126**



**Kap Ø80 Adjustable**  
designed by FLOS Architectural

Recessed luminaire with main voltage source.

03.4237.GL	Gold
03.4237.BI	White
03.4237.BU	Blue
03.4237.74	Black
03.4237.CU	Copper

## Kap Ø80 Adjustable . Lamps



60.6693

**LED PAR 16**

**Lamp Watt:**  
4 W

**Lamp category:**  
LED

**Socket:**  
GU10

**Lamp angle:**  
25 °

**Color temperature (K):**  
2700 °K

**Catalog reference:**  
60.6693

**Lamp type:**  
LED PAR 16



60.6694

**LED PAR 16**

**Lamp Watt:**  
4 W

**Lamp category:**  
LED

**Socket:**  
GU10

**Lamp angle:**  
40 °

**Color temperature (K):**  
2700 °K

**Catalog reference:**  
60.6694

**Lamp type:**  
LED PAR 16



60.6695

**LED PAR 16**

**Lamp Watt:**  
4 W

**Lamp category:**  
LED

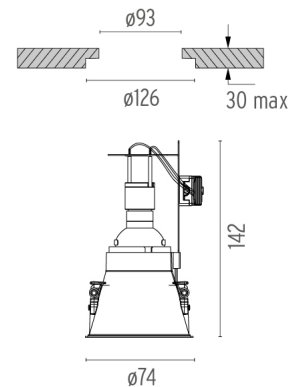
**Socket:**  
GU10

**Lamp angle:**  
25 °

**Color temperature (K):**  
3000 °K

**Catalog reference:**  
60.6695

**Lamp type:**  
LED PAR 16



### CERTIFICATIONS



# FLOS

## Kap Ø80 Adjustable . Lamps



60.6968

**LED PAR 16**

**Lamp Watt:**

5,4 W

**Lamp category:**

LED

**Socket:**

GU10

**Lamp angle:**

40 °

**Color temperature (K):**

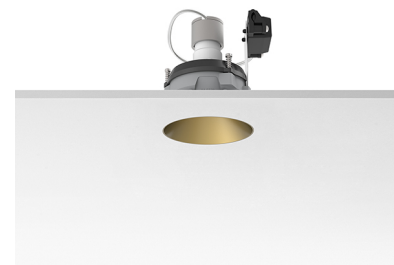
3000 °K

**Catalog reference:**

60.6968

**Lamp type:**





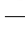
LED PAR 16

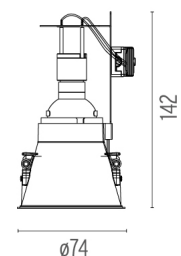
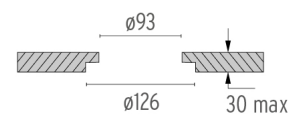


### Kap Ø80 Adjustable

designed by FLOS Architectural

Recessed luminaire with main voltage source.

	03.4237.GL	Gold
	03.4237.BI	White
	03.4237.BU	Blue
	03.4237.74	Black
	03.4237.CU	Copper



### CERTIFICATIONS

