

## COMPASS OPAL P Ø90

<b>Number of heads</b>	1
<b>Mounting</b>	Ceiling recessed
<b>Lamps description</b>	QT-12 GY6.35 Max 50W
<b>Bezel diameter</b>	90
<b>Voltage (V)</b>	12
<b>Environment</b>	Indoor

### OPTICAL

<b>Light controller description</b>	Protection glass
<b>Reflector finish</b>	Aluminum
<b>Aiming</b>	Fixed
<b>Light distribution symmetry</b>	Symmetric
<b>Beam angle</b>	64°

### ELECTRICAL

<b>Transformer availability</b>	Separate item
<b>Transformer mounting</b>	Remote
<b>Emergency</b>	Without
<b>Insulation class</b>	Class III

### PHYSICAL

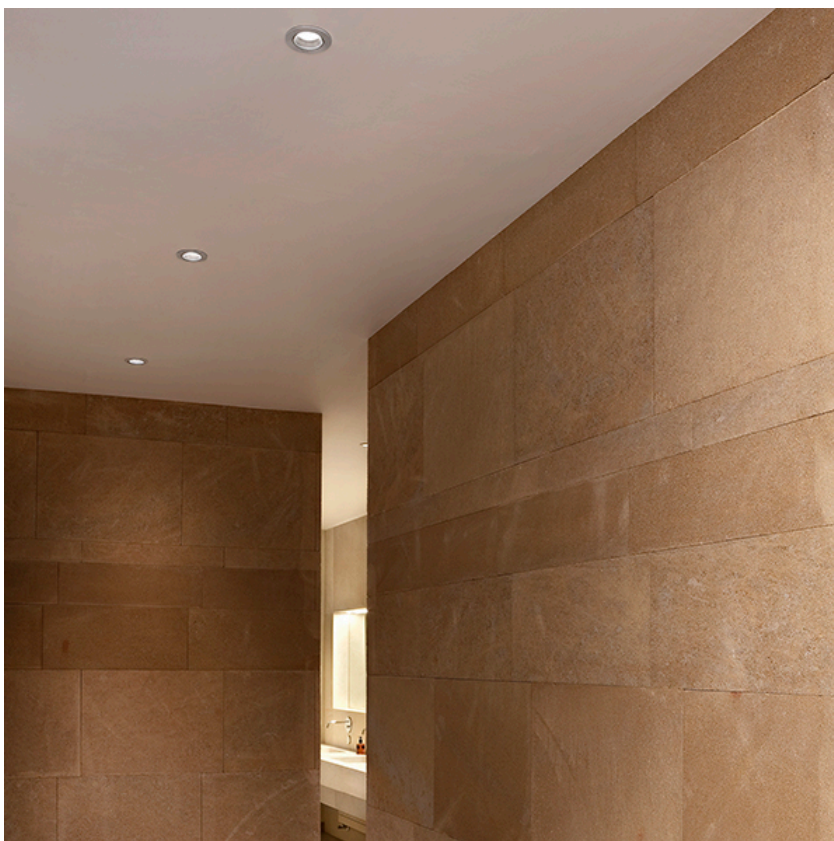
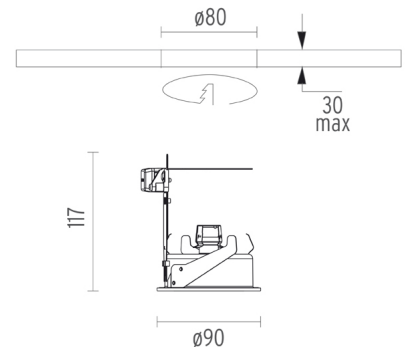
<b>Cutout shape</b>	Round
<b>Cutout diameter (mm)</b>	80
<b>Diameter (mm)</b>	90
<b>Recessed depth (mm)</b>	117
<b>Construction material</b>	Die-cast aluminum
<b>Weight (kg)</b>	0,40



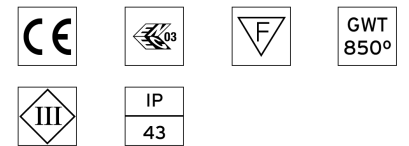
**Compass Opal P Ø90**  
designed by FLOS Architectural

12V halogen lamp recessed downlight.  
Remote transformer not included

● 03.3538.30	Matt white
● 03.3538.02	Grey
● 03.3538.14	Matt black



### CERTIFICATIONS



## Compass Opal P Ø90 . Lamps



60.6300

**QT-12**

**Lamp Watt:**  
35 W

**Lamp category:**  
Halogen low voltage

**Socket:**  
GY6.35

**Color temperature (K):**  
3000 °K

**Catalog reference:**  
60.6300

**Lamp type:**  
QT-12



60.6303

**QT-12**

**Lamp Watt:**  
50 W

**Lamp category:**  
Halogen low voltage

**Socket:**  
GY6.35

**Color temperature (K):**  
3000 °K

**Catalog reference:**  
60.6303

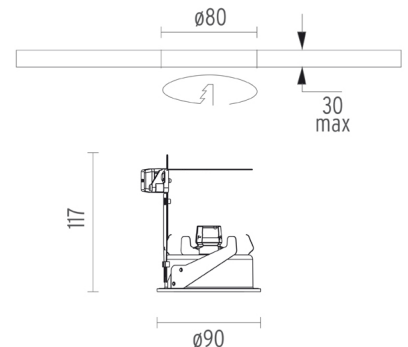
**Lamp type:**  
QT-12



**Compass Opal P Ø90**  
designed by FLOS Architectural

12V halogen lamp recessed downlight.  
Remote transformer not included

- 03.3538.30 Matt white
- 03.3538.02 Grey
- 03.3538.14 Matt black



### CERTIFICATIONS

