

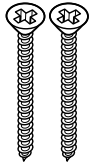


E I C H H O L T Z

108142 WALL LAMP EASY LIVING L NICKEL

ASSEMBLY INSTRUCTION

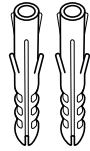
**PARTS**



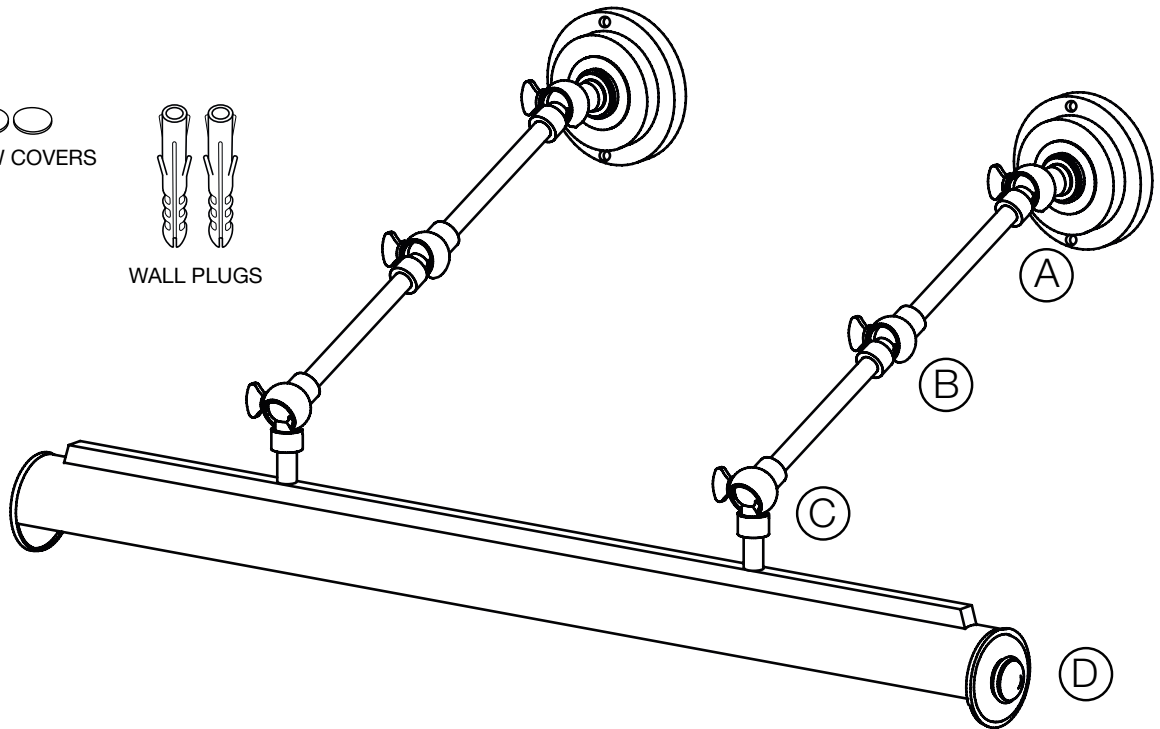
SCREWS



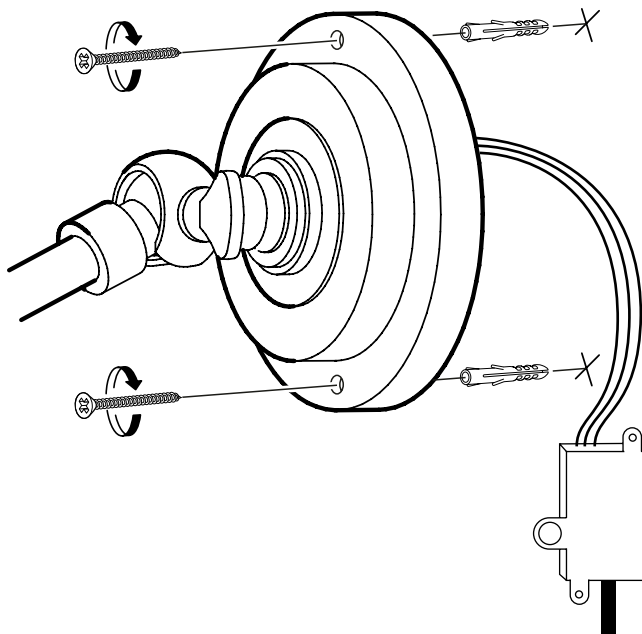
SCREW COVERS



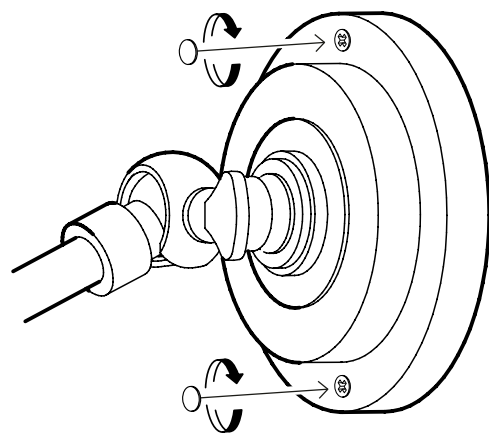
WALL PLUGS



1



2



Loosen the adjustment keys (A,B,C).

Adjust shade (D) to desired position and tighten the adjustment keys (A,B,C).

Connect the 3 power wires according to their colours. Brown is the live wire, blue is the neutral wire, the green yellow wire is the earthwire.

**CARE INSTRUCTION**

Wipe clean with soft, dry cloth.

Always avoid the use of harsh chemicals or abrasive cleaners as they may cause damage to the fixture's finish.