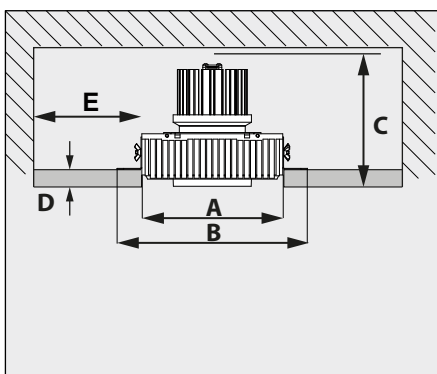
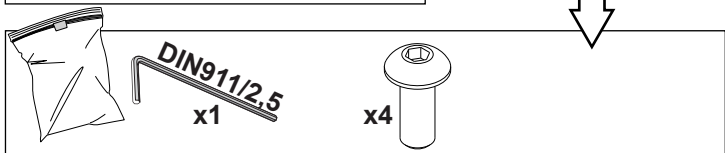
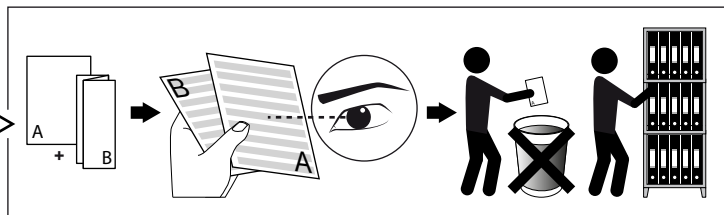
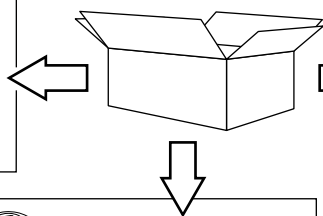
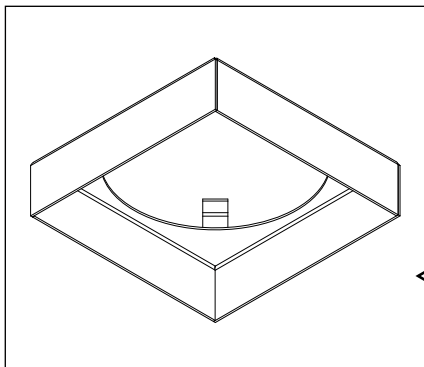


GRID IN TRIMLESS 1 HP FRAME

DEEL
PARTIE
TEIL
PART
PARTE
PARTE

A



		mm
	A	KIT
	B	KIT
	C	160
	D	MAX. 25
	E	≥50

REQUIREMENTS

GRID IN TRIMLESS 1
MOUNTING KIT HP 202 61 95 01 HP
GRID IN HP SNAP-IN 202 802 211 XXX

