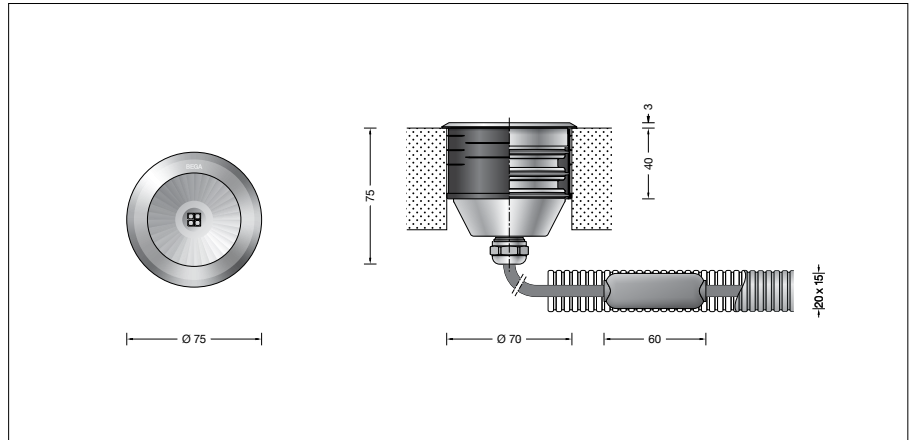


BEGA**99 396**

In-ground luminaire

Project · Reference number

Date



Product data sheet

Application

LED floodlight for recessed installation in compacted surfaces with \varnothing 70 mm provided by the customer.

Drive-over luminaire from vehicles with pneumatic tyres.

Please note:

Luminaire must not be used for installation in road lanes, where the fixture is exposed to a horizontal strain due to braking, acceleration and change of direction.

Product description

In-ground LED luminaire without power supply unit

Luminaire made of stainless steel

Steel grade no 1.4301

Installation bush made of polyamide

Clear safety glass

Reflector made of pure anodised aluminium

3 m water-resistant connecting cable

05RN8-F 2 x 1[□] with implemented water stopper

Safety class III

Protection class IP 68 20 m

Dust-tight and water pressure tight

Maximum submersion depth 20 m

Not suitable for permanent operation under water

Impact strength IK08

Protection against mechanical

impacts < 5 joule

– Safety mark

– Conformity mark

Weight: 0.8 kg

Lamp

Rated temperature

$t_a = 25 \text{ }^\circ\text{C}$

Ambient temperature

$t_{a \text{ max}} = 40 \text{ }^\circ\text{C}$

On request we can offer you modifications for environments with higher temperatures as a customized product.

Voltage

24 V = DC

99 396 K4

Module connected wattage

4.6 W

Luminaire connected wattage

5.2 W

Module designation

LED-0386/840

Colour temperature

4000 K

Colour rendering index

CRI > 80

Module luminous flux

500 lm

Luminaire luminous flux

272 lm

Luminaire luminous efficiency

52,3 lm/W

99 396 K3

Module connected wattage

3.4 W

Luminaire connected wattage

4 W

Module designation

LED-0386/830

Colour temperature

3000 K

Colour rendering index

CRI > 80

Module luminous flux

495 lm

Luminaire luminous flux

271 lm

Luminaire luminous efficiency

52,3 lm/W

Service life of the LED

Ambient temperature $t_a = 25 \text{ }^\circ\text{C}$

– at 230,000h: L70B50

max. ambient temperature $t_a = 40 \text{ }^\circ\text{C}$

– at 160,000h: L70B50

Lighting technology

Half beam angle 14°

Luminaire data for the light planning program

DIALux for outdoor lighting, street lighting and

interior lighting as well as luminaire data in

EULUMDAT and IES format are available on our

website www.bega.com.

Article No. 99 396

LED colour temperature optionally 4000K or 3000K

4000 K – Article number + **K4**

3000 K – Article number + **K3**

Accessories

Power supply unit for LED luminaires 24 V DC

Safety transformer according to

DIN EN 61558/VDE 0570 part 2-6

70 564 Power supply unit for 0-15 W

70 465 Power supply unit for 0-25 W

70 565 Power supply unit for 0-35 W

70 566 Power supply unit for 0-50 W

70 567 Power supply unit for 0-75 W

70 169 Power supply unit for 0-150 W

230 V \sim 50-60 Hz

70 114 Power supply unit for 0-42 W

AC range: AC: 110-264 V \sim 50-60 Hz

DC range: DC: 170-280 V

The power supply units are also suitable for the operation of several LED luminaires. In this case, the maximum wattage of the power supply unit must not be exceeded.

70 745 Installation housing made of stainless steel

Distribution box for installation in soil

70 730 Distribution box with 7 cable entries

Connection terminals 5 x 4[□]

71 053 Distribution box with 10 cable entries

Connection terminals 6 x 16[□]

For the accessories a separate instructions for use can be provided upon request.

Light distribution