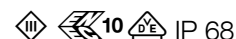


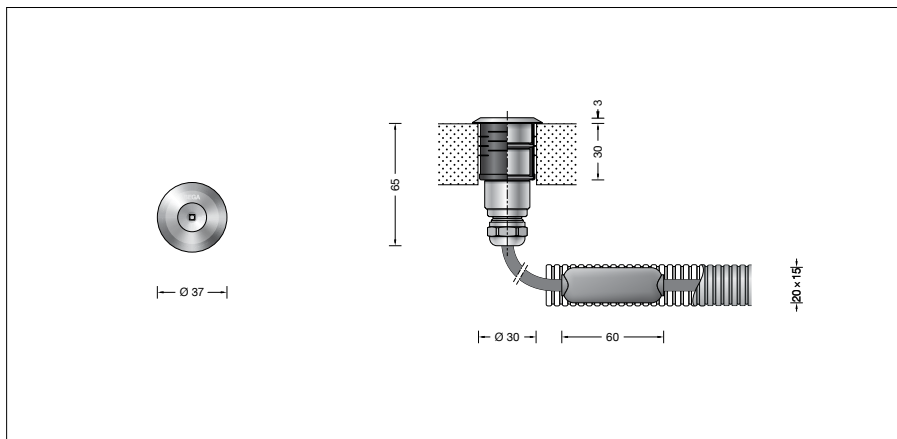
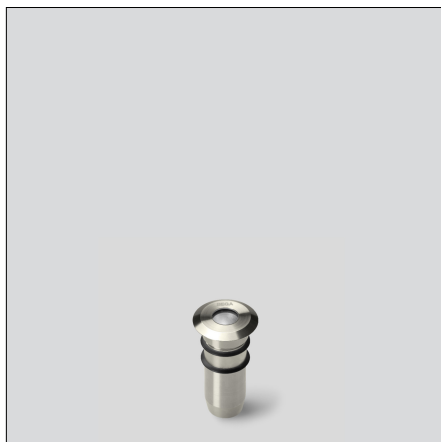
BEGA**99 356**

In-ground luminaire



Project · Reference number

Date



Product data sheet

Application

LED floodlight for recessed installation in compacted surfaces with \varnothing 30 mm provided by the customer.

Drive-over luminaire from vehicles with pneumatic tyres.

Please note:

Luminaire must not be used for installation in road lanes, where the fixture is exposed to a horizontal strain due to braking, acceleration and change of direction.

Product description

In-ground LED luminaire without power supply unit

Luminaire made of stainless steel

Steel grade no 1.4301

Installation bush made of polyamide

Clear safety glass

Reflector surface made of pure aluminium

3 m water-resistant connecting cable

05RN8-F 2 x 1[□] with implemented water stopper

Safety class III

Protection class IP 68 20 m

Dust-tight and water pressure tight

Maximum submersion depth 20 m

Impact strength IK10

Protection against mechanical

impacts < 20 joule

– Safety mark

– Conformity mark

Weight: 0.35 kg

Lamp

Module connected wattage

0.3 W

Luminaire connected wattage

0.5 W

Rated temperature

$t_a = 25\text{ °C}$

Ambient temperature

$t_{a,max} = 60\text{ °C}$

99 356 K4

Colour temperature

4000 K

Colour rendering index

CRI > 80

Module luminous flux

40 lm

Luminaire luminous flux

32 lm

Luminaire luminous efficiency

64 lm/W

99 356 K3

Colour temperature

3000 K

Colour rendering index

CRI > 80

Module luminous flux

40 lm

Luminaire luminous flux

32 lm

Luminaire luminous efficiency

64 lm/W

Service life of the LED

Ambient temperature $t_a = 25\text{ °C}$

– at > 500,000h: L70B50

max. ambient temperature $t_a = 60\text{ °C}$

– at 63,000h: L70B50

Lighting technology

Half beam angle 14°

Luminaire data for the light planning program DIALux for outdoor lighting, street lighting and interior lighting as well as luminaire data in EULUMDAT and IES format are available on our website www.bega.com.

Article No. 99 356

LED colour temperature optionally 4000K or 3000K

4000 K – Article number + **K4**

3000 K – Article number + **K3**

Accessories

Power supply unit for LED luminaires 24 V DC

Safety transformer according to

DIN EN 61558/VDE 0570 part 2-6

70 564 Power supply unit for 0-15 W

70 465 Power supply unit for 10-25 W

70 565 Power supply unit for 20-35 W

70 566 Power supply unit for 30-50 W

70 567 Power supply unit for 40-75 W

70 169 Power supply unit for 70-150 W

230 V ~ 50-60 Hz

70 114 Power supply unit for 0-42 W

AC range: AC: 110-264 V ~ 50-60 Hz

DC range: DC: 170-280 V

The power supply units are also suitable for the operation of several LED luminaires. In this case, the maximum wattage of the power supply unit must not be exceeded.

70 778 Installation housing made of stainless steel

A separate instructions for use can be provided upon request.

70 730 Distribution box

The distribution box is meant for installation in the soil and allows a junction from the supply cable to the luminaire and through-wiring to the next luminaire.

After the electrical connection the distribution box is filled up with gel and closed.

Light distribution

