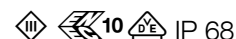


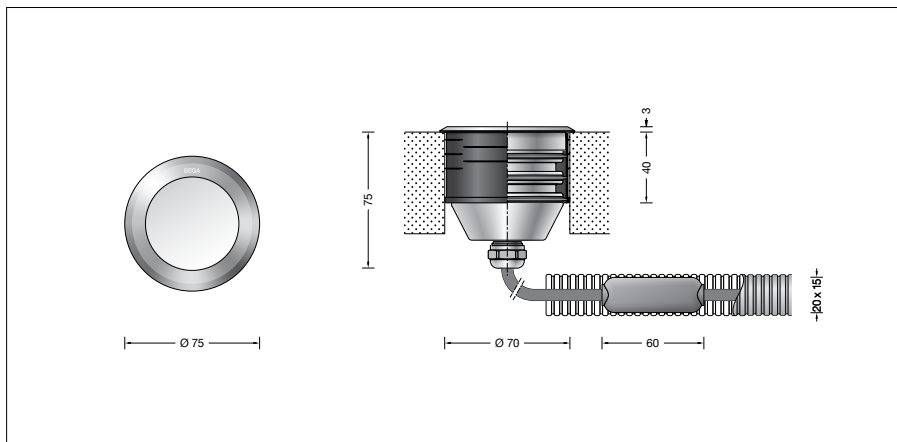
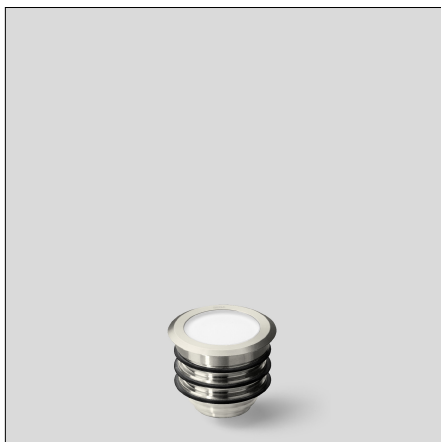
BEGA**99 331**

In-ground luminaire



Project · Reference number

Date



Product data sheet

Application

LED location luminaire for recessed installation in compacted surfaces with $\varnothing 70$ mm provided by the customer.

Drive-over luminaire from vehicles with pneumatic tyres.

Please note:

Luminaire must not be used for installation in road lanes, where the fixture is exposed to a horizontal strain due to braking, acceleration and change of direction.

Product description

In-ground LED luminaire without power supply unit
 Luminaire made of stainless steel
 Steel grade no 1.4301
 Installation bush made of polyamide
 Safety glass, white
 3 m water-resistant connecting cable
 05RN8-F 2 x 1[□] with implemented water stopper
 Safety class III
 Protection class IP 68 20 m
 Dust-tight and water pressure tight
 Maximum submersion depth 20 m
 Not suitable for permanent operation under water
 Impact strength IK08
 Protection against mechanical impacts < 5 joule
 – Safety mark
 – Conformity mark
 Weight: 0.8 kg

Lamp

Rated temperature
 Ambient temperature

$t_a = 25$ °C
 $t_{a \max} = 60$ °C

99 331 K4

Module connected wattage 2.1 W
 Luminaire connected wattage 2.8 W
 Module designation LED-0331/840
 Colour temperature 4000 K
 Colour rendering index CRI > 80
 Module luminous flux 270 lm
 Luminaire luminous flux 59 lm
 Luminaire luminous efficiency 21,1 lm/W

99 331 K3

Module connected wattage 1.2 W
 Luminaire connected wattage 1.4 W
 Module designation LED-0331/830
 Colour temperature 3000 K
 Colour rendering index CRI > 80
 Module luminous flux 245 lm
 Luminaire luminous flux 54 lm
 Luminaire luminous efficiency 38,6 lm/W

Service life of the LED

Ambient temperature $t_a = 25$ °C
 – at > 500,000h: L70B50

max. ambient temperature $t_a = 60$ °C
 – at 74,000h: L70B50

Light technique

Luminaire data for the light planning program DIALux for outdoor lighting, street lighting and indoor lighting as well as luminaire data in EULUMDAT- and IES-format you will find on the BEGA web page www.bega.com.

Article No. 99 331

LED colour temperature optionally 4000K or 3000K
 4000 K – Article number + **K4**
 3000 K – Article number + **K3**

Accessories

Power supply unit for LED luminaires 24 V DC
 Safety transformer according to
 DIN EN 61558/VDE 0570 part 2-6
70 564 Power supply unit for 0-15 W
70 465 Power supply unit for 0-25 W
70 565 Power supply unit for 0-35 W
70 566 Power supply unit for 0-50 W
70 567 Power supply unit for 0-75 W
70 169 Power supply unit for 0-150 W
 230 V ~ 50-60 Hz
70 114 Power supply unit for 0-42 W
 AC range: AC: 110-264 V ~ 50-60 Hz
 DC range: DC: 170-280 V

The power supply units are also suitable for the operation of several LED luminaires. In this case, the maximum wattage of the power supply unit must not be exceeded.

70 745 Installation housing made of stainless steel

Distribution box for installation in soil

70 730 Distribution box with 7 cable entries
 Connection terminals 5 x 4[□]

71 053 Distribution box with 10 cable entries
 Connection terminals 6 x 16[□]

For the accessories a separate instructions for use can be provided upon request.