

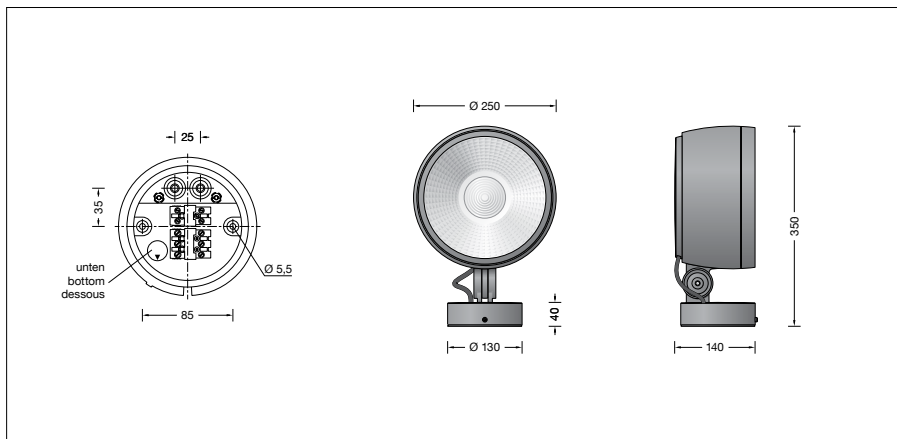
**BEGA****84 545**

Performance floodlight

IP 65

Project · Reference number

Date



## Product data sheet

**Application**

LED performance floodlight with mounting box in compact design.

For a variety of interior and exterior lighting applications.

**Product description**

Luminaire made of aluminium alloy, aluminium and stainless steel

Clear safety glass · Silicone gasket

Optical silicone lens

Reflector surface made of pure aluminium

Rotation range of floodlight 350°

Swivel range -30°/+100°

Mounting box with 2 fixing holes

Ø 5.5 mm · 85 mm spacing

2 cable entries for through-wiring of mains

supply cable Ø 7-10.5 mm, max. 5 G 1.5<sup>□</sup>

Connecting terminal 2.5<sup>□</sup>

with plug connection

Earth conductor connection

LED power supply unit

220-240 V ~ 0/50-60 Hz

DC 176-280 V

During DC operation the LED power

is reduced to 15 %

DALI controllable

A basic isolation exists between power cable

and control line

Safety class I

Protection class IP 65

Dust-tight and protection against water jets

Impact strength IK08

Protection against mechanical

impacts < 5 joule

CE – Conformity mark

Wind catching area: 0.055 m<sup>2</sup>

Weight: 5.6 kg

**Lamp**

Module connected wattage

71.1 W

Luminaire connected wattage

77.2 W

Rated temperature

 $t_a = 25 \text{ °C}$ 

Ambient temperature

 $t_{a, \text{max}} = 25 \text{ °C}$ 

On request we can offer you modifications for environments with higher temperatures as a customized product.

**84 545 K4**

Module designation

LED-0442/940

Colour temperature

4000 K

Colour rendering index

CRI &gt; 90

Module luminous flux

10710 lm

Luminaire luminous flux

8270 lm

Luminaire luminous efficiency

107,1 lm/W

**84 545 K3**

Module designation

LED-0442/930

Colour temperature

3000 K

Colour rendering index

CRI &gt; 90

Module luminous flux

10550 lm

Luminaire luminous flux

8146 lm

Luminaire luminous efficiency

105,5 lm/W

**Service life of the LED**

max. ambient temperature  $t_a = 25 \text{ °C}$

– at 170,000 h: L70 B50

**Inrush current**

Inrush current: 50 A / 209 μs

Maximum number of luminaires of this type per miniature circuit breaker:

B 10A: 6 luminaires

B 16A: 10 luminaires

C 10A: 10 luminaires

C 16A: 16 luminaires

**Lighting technology**

Symmetrical narrow beam light distribution.

By changing the diffuser lense it is possible to alter the symmetrical light distribution into a flat beam light distribution.

Luminaire data for the light planning program DIALux for outdoor lighting, street lighting and indoor lighting, as well as luminaire data in EULUMDAT and IES format are available on the BEGA website at [www.bega.com](http://www.bega.com).

**Article No. 84 545**

LED colour temperature optionally 4000K or 3000K

4000 K – Article number + **K4**

3000 K – Article number + **K3**

Colour graphite or silver

graphite – article number

silver – article number + **A**

**Accessories**

**71 072** Shield

**71 074** Exchangeable lens flat beam

**71 073** Louvre

For the accessories a separate instructions for use can be provided upon request.

**Light distribution**