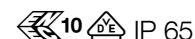


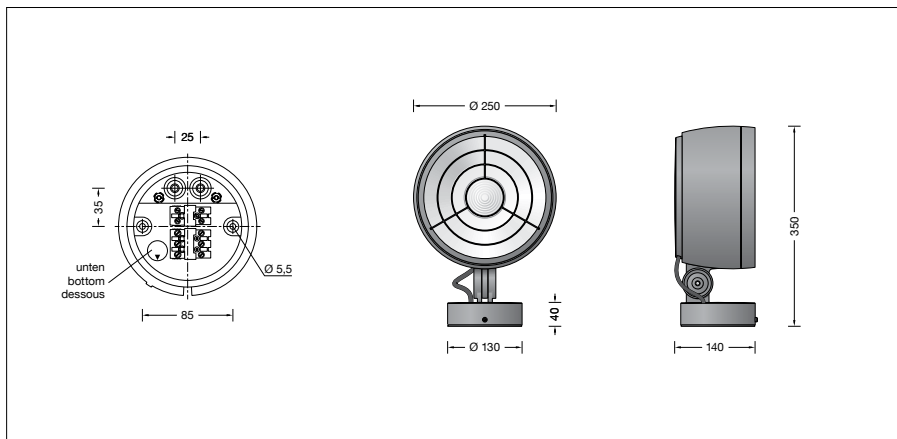
BEGA**84 544**

Performance floodlight



Project · Reference number

Date



Product data sheet

Product description

Luminaire made of aluminium alloy, aluminium and stainless steel
 Clear safety glass · Silicone gasket
 Optical silicone lens · BEGA Hybrid Optics®
 Reflector surface made of pure aluminium
 Inside louvre
 made of glass-fibre reinforced polyamide
 Rotation range of floodlight 350°
 Swivel range -30°/+100°
 Mounting box with 2 fixing holes
 ø 5.5 mm · 85 mm spacing
 2 cable entries for through-wiring of mains
 supply cable ø 7-10.5 mm, max. 5G1.5[□]
 Connecting terminal 2.5[□]
 with plug connection
 Earth conductor connection
 LED power supply unit
 220-240 V ~ 0/50-60 Hz
 DC 176-280 V
 During DC operation the LED power
 is reduced to 15 %
 DALI controllable
 A basic isolation exists between power cable
 and control line
 BEGA Thermal Control®
 Temporary thermal regulation to protect
 temperature-sensitive components without
 switching off the luminaire
 Safety class I
 Protection class IP 65
 Dust-tight and protection against water jets
 Impact strength IK08
 Protection against mechanical
 impacts < 5 joule
 – Safety mark
 – Conformity mark
 Wind catching area: 0.055 m²
 Weight: 5.8 kg

Application

LED performance floodlight with mounting box
 in compact design.
 For a variety of interior and exterior lighting
 applications.

Lamp

Module connected wattage	72.9 W
Luminaire connected wattage	79 W
Rated temperature	$t_a = 25\text{ °C}$
Ambient temperature	$t_{a\text{max}} = 25\text{ °C}$

On request we can offer you modifications for
 environments with higher temperatures as a
 customized product.

84 544 K4

Module designation	LED-0877/940
Colour temperature	4000 K
Colour rendering index	CRI > 90
Module luminous flux	9980 lm
Luminaire luminous flux	4430 lm
Luminaire luminous efficiency	56,1 lm/W

84 544 K3

Module designation	LED-0877/930
Colour temperature	3000 K
Colour rendering index	CRI > 90
Module luminous flux	9830 lm
Luminaire luminous flux	4363 lm
Luminaire luminous efficiency	55,2 lm/W

Service life · Ambient temperature

Rated temperature $t_a = 25\text{ °C}$	
LED psu:	> 50,000h
LED module:	75,000h (L80B50)
	100,000h (L70B50)

Ambient temperature $t_{a\text{max}} = 25\text{ °C}$ (100 %)	
LED psu:	50,000h
LED module:	75,000h (L80B50)
	100,000h (L70B50)

Inrush current

Inrush current: 50 A / 209 μs
 Maximum number of luminaires of this
 type per miniature circuit breaker:
 B 10A: 6 luminaires
 B 16A: 10 luminaires
 C 10A: 10 luminaires
 C 16A: 16 luminaires

Light technique

Floodlight with narrow beam rotationally
 symmetrical light distribution with integrated
 louvre for stray light suppression.
 Half beam angle 10°

By changing the diffuser lense it is possible to
 alter the symmetrical light distribution into a flat
 beam light distribution.

Luminaire data for the light planning program
 DIALux for outdoor lighting, street lighting and
 indoor lighting, as well as luminaire data in
 EULUMDAT and IES format are available on the
 BEGA website at www.bega.com.

Article No. 84 544

LED colour temperature optionally 4000K
 or 3000K
 4000 K – Article number + **K4**
 3000 K – Article number + **K3**

Colour graphite or silver
 graphite – article number
 silver – article number + **A**

Accessories

71 072 Shield

71 074 Exchangeable lens flat beam

For the accessories a separate instructions
 for use can be provided upon request.

Light distribution

