

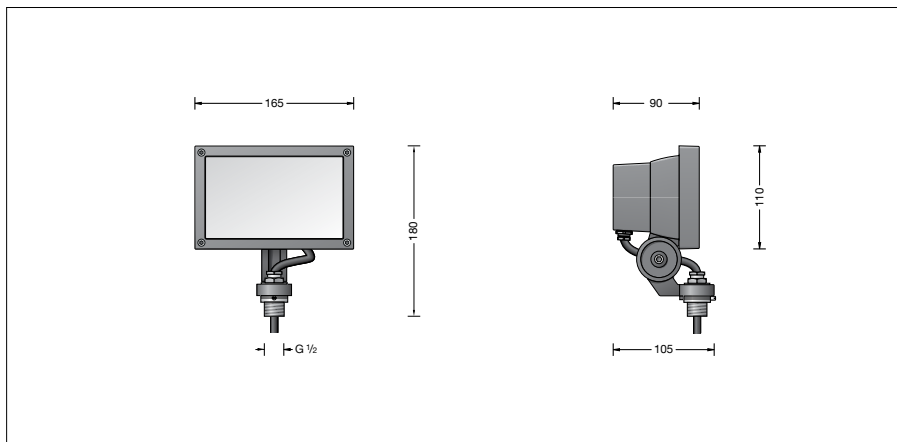
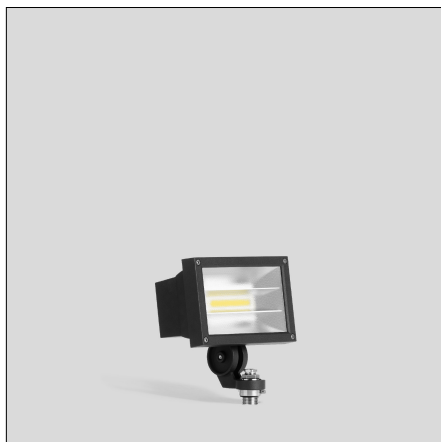
BEGA**84 511**

Surface floodlight



Project · Reference number

Date



Product data sheet

Application

LED floodlight with mounting bush G $\frac{1}{2}$ for flat beam light distribution.
The floodlight can be bolted together with any female thread G $\frac{1}{2}$ according to ISO 228.
The used LED technique offers durability and optimal light output with low power consumption at the same time.

Product description

Luminaire made of aluminium alloy, aluminium and stainless steel
Safety glass with optical structure
Silicone gasket
Reflector made of pure anodised aluminium
Rotation range of floodlight 350°
Swivel range -35°/+90°
Mounting bracket with G $\frac{1}{2}$ threaded connection
Thread length: 14 mm
Connecting cable H05RN-F 3G 1 \square
Cable length 1 m
LED power supply unit
220-240 V \sim 0/50-60 Hz
Safety class I
Protection class IP 65
Dust-tight and protection against water jets
Impact strength IK07
Protection against mechanical impacts < 2 joule
 – Safety mark
 – Conformity mark
Wind catching area: 0.022 m 2
Weight: 1.3 kg

Inrush current

Inrush current: 27 A / 250 μ s
Maximum number of luminaires of this type per miniature circuit breaker:
B10A: 17 luminaires
B16A: 27 luminaires
C10A: 28 luminaires
C16A: 45 luminaires

Lamp

Module connected wattage	9.7 W
Luminaire connected wattage	11.9 W
Rated temperature	$t_a = 25 \text{ }^\circ\text{C}$
Ambient temperature	$t_{a \text{ max}} = 40 \text{ }^\circ\text{C}$

On request we can offer you modifications for environments with higher temperatures as a customized product.

84 511 K4

Module designation	LED-0775/940
Colour temperature	4000 K
Colour rendering index	CRI > 80
Module luminous flux	1655 lm
Luminaire luminous flux	1061 lm
Luminaire luminous efficiency	89,2 lm/W

84 511 K3

Module designation	LED-0775/930
Colour temperature	3000 K
Colour rendering index	CRI > 80
Module luminous flux	1565 lm
Luminaire luminous flux	1020 lm
Luminaire luminous efficiency	85,7 lm/W

Service life · Ambient temperature

Ambient temperature $t_a = 25 \text{ }^\circ\text{C}$	
LED psu:	> 50,000 h
LED module:	> 200,000 h (L80 B50) 100,000 h (L90 B50)

Ambient temperature $t_a = 40 \text{ }^\circ\text{C}$	
LED psu:	50,000 h
LED module:	84,000 h (L80 B50) 100,000 h (L70 B50)

Lighting technology

Half beam angle 28/87°
Luminaire data for the light planning program DIALux for outdoor lighting, street lighting and interior lighting as well as luminaire data in EULUMDAT and IES format are available on our website www.bega.com.

Article No. 84 511

LED colour temperature optionally 4000K or 3000K
4000 K – Article number + **K4**
3000 K – Article number + **K3**
Colour graphite or silver
graphite – article number
silver – article number + **A**

Accessories

70 214 Pole cap for pole top \varnothing 48 mm
70 248 Pole cap for pole top \varnothing 60 mm
70 249 Pole cap for pole top \varnothing 76 mm
70 229 Pole cap for pole top \varnothing 82 mm
70 221 Mounting box for anchorage unit
70 245 Mounting box · rectangular
70 252 Wood screw
70 280 Tube clamp
70 283 Screw clamp
70 379 Cross beam
70 889 Lashing strap
70 500 Shield

For the accessories a separate instructions for use can be provided upon request.

Light distribution

