

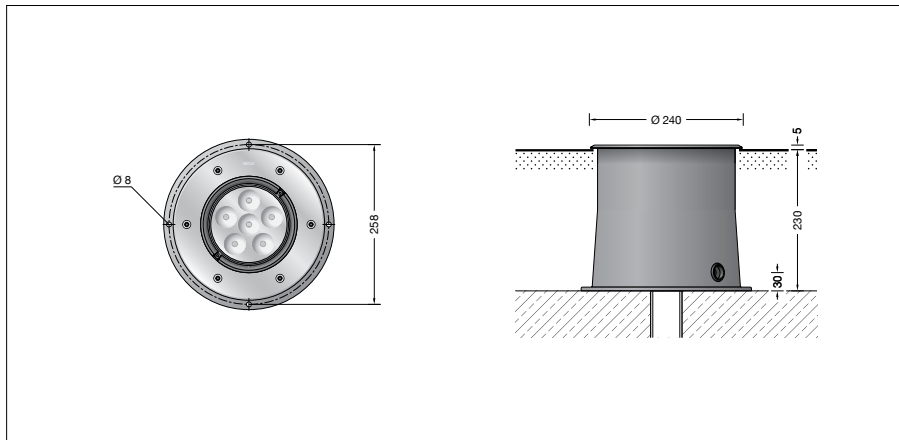
**BEGA****84 457**

In-ground luminaire

IP 67

Project · Reference number

Date



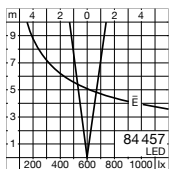
## Product data sheet

**Product description**

Luminaires and installation housings made of highly corrosion-resistant aluminium  
 BEGA Tricoat® coating technology  
 Cover ring made of stainless steel  
 Steel grade no. 1.4301  
 Ring made of glass fibre reinforced synthetic material  
 Clear safety glass  
 Reflector surface made of pure aluminium  
 Optical system 0-25° swivel-mounted and infinitely rotatable  
 Recess housing with cable entry for cable conduit, max ø 20 mm  
 1,8 m water-resistant connecting cable 07RN8-F 5 G 1<sup>□</sup> with implemented water stopper and 1.2 m PVC cable conduit  
 LED power supply unit  
 220-240 V ~ 0/50-60 Hz  
 DC 176-264 V  
 DALI controllable  
 A basic isolation exists between power cable and control line  
 BEGA Thermal Control®  
 Temporary thermal regulation to protect temperature-sensitive components without switching off the luminaire  
 Safety class I  
 Protection class IP 67  
 Dust-tight and protection against temporary immersion  
 Pressure load 5,000 kg (~50 kN)  
 Impact strength IK10  
 Protection against mechanical impacts < 20 joule  
**CE** – Conformity mark  
 Weight: 7.8 kg

**Inrush current**

Inrush current: 5 A / 100 μs  
 Maximum number of luminaires of this type per miniature circuit breaker:  
 B10A: 35 luminaires  
 B16A: 56 luminaires  
 C10A: 35 luminaires  
 C16A: 56 luminaires

**Light distribution****Application**

In-ground floodlight with swivel-mounted and rotatable optical system. Adjustable tilt angle of the reflector allows optionally a symmetrical or asymmetrical light distribution.  
 For recessed mounting in compacted surfaces, paths and open areas.  
 Drive-over luminaire for vehicles with pneumatic tyres.  
 For pressure load up to 5,000 kg (~50 kN).  
**Please note:**  
 Luminaire must not be used for installation in road lanes, where the fixture is exposed to a horizontal strain due to braking, acceleration and change of direction.  
 For walk-through public areas, we recommend skid-blocking glass – see accessories.

**Lamp**

Module connected wattage	28.2 W
Luminaire connected wattage	31.7 W
Rated temperature	$t_a = 25\text{ °C}$
Ambient temperature	$t_{a\text{ max}} = 40\text{ °C}$
When installed in heat-insulating material	$t_{a\text{ max}} = 25\text{ °C}$

**84 457 K3**

Module designation	LED-1014/830
Colour temperature	3000 K
Colour rendering index	CRI > 80
Module luminous flux	4860 lm
Luminaire luminous flux	3221 lm
Luminaire luminous efficiency	101,6 lm/W

**84 457 K4**

Module designation	LED-1014/840
Colour temperature	4000 K
Colour rendering index	CRI > 80
Module luminous flux	5005 lm
Luminaire luminous flux	3317 lm
Luminaire luminous efficiency	104,6 lm/W

**Article No. 84 457**

LED colour temperature optionally 3000K or 4000K  
 3000 K – Article number + **K3**  
 4000 K – Article number + **K4**

We supply this luminaire with skid-blocking glass which is denoted by **R** after the article number.

**Light technique**

In-ground floodlight with adjustable optical system.  
 Optical system 0-25° swivel-mounted and infinitely rotatable.  
 Narrow beam rotationally symmetrical light distribution. Half beam angle 19°  
 For special lighting tasks it is possible to change the narrow beam light cone into a wide beam or flat beam light distribution by using diffuser lenses.  
 For wide beam light distribution:  
 Diffuser lens **71 154**  
 For flat beam light distribution:  
 Diffuser lens **71 155**  
 Light cone ± 90° rotatable.

**Service life · Ambient temperature**

Rated temperature $t_a = 25\text{ °C}$	
LED psu:	> 50,000h
LED module:	> 200,000h (L80B50)
	100,000h (L90B50)
Ambient temperature $t_{a\text{ max}} = 40\text{ °C}$ (100 %)	
LED psu:	50,000h
LED module:	190,000h (L80B50)
Ambient temperature $t_{a\text{ max}} = 50\text{ °C}$ (95 %)	
LED psu:	50,000h
LED module:	> 50,000h (L70B50)

BEGA Thermal Control® protects temperature-sensitive luminaire components by temporarily limiting the nominal power at high temperatures.

**Accessories**

**14001397R** Skid-blocking glass in accordance with EN ISO 51130 R13  
 Surface abrasion in accordance with EN ISO 10545-7:  
 Category II  
 Anti-slip protection in accordance with DIN 51097 Class C

Distribution box for installation in soil  
**70 730** Distribution box with 7 cable entries  
 Connection terminals 5 x 4<sup>□</sup>  
**71 053** Distribution box with 10 cable entries  
 Connection terminals 6 x 16<sup>□</sup>

A separate instructions for use can be provided upon request.