

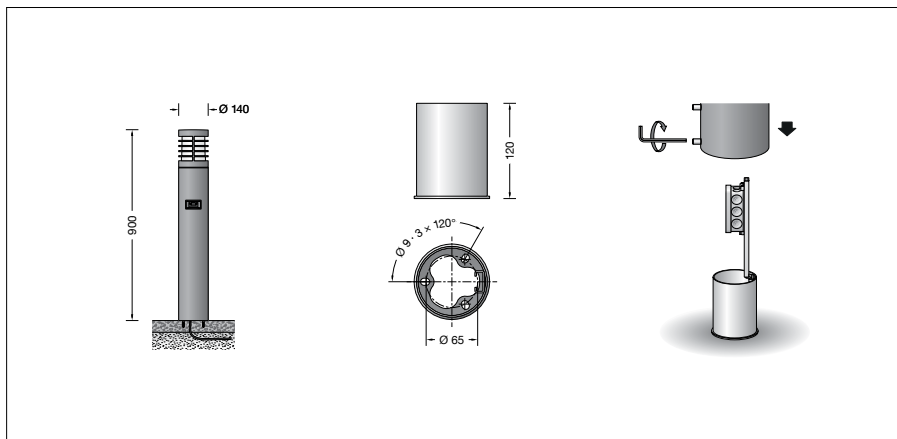
BEGA**84 434**

Garden and pathway luminaire

IP 65

Project · Reference number

Date



Product data sheet

Application

Unshielded LED garden and path luminaire with safety guard. Light exit 360°.

With hand-blown, three-ply opal glass and pleasantly uniform light effect for effective illumination in private gardens.

The integrated passive infrared motion and light sensor responds to heat radiation and activates in case of human or animal movement in the vicinity of the sensor.

Configuration is done via a smartphone using the free BEGA Tool app.

Inrush current

Inrush current: 20 A / 80 μ s

Maximum number of luminaires of this type per miniature circuit breaker:

B 10A: 35 luminaires

B 16A: 56 luminaires

C 10A: 58 luminaires

C 16A: 94 luminaires

Light technique

Luminaire data for the light planning program DIALux for outdoor lighting, street lighting and indoor lighting as well as luminaire data in EULUMDAT- and IES-format you will find on the BEGA web page www.bega.com.

Recommended light point interval 6 m.

Product description

Luminaire made of cast aluminium,

aluminium and stainless steel

Opal glass with screw neck

Silicone gasket

Luminaire with mounting base made of hot-dip

galvanised steel according to EN ISO 1461

for bolting onto a foundation provided by the

customer or on other paved surfaces such as

terraces and paving stones

Base plate with 3 fixing holes

\varnothing 9 mm · Pitch 120° · Pitch circle \varnothing 65 mm

Mounting bracket with connection box for

through-wiring up to 3 x 2,5²

Passive infrared motion sensor (PIR)

Range up to 12 m

Opening angle 120° - 150°

Minimum temperature difference between

moving object and environment 4 °C

Object speed 1 m/s

Adjustable sensitivity of the motion sensor (inertia)

Shut-down delay adjustable between 5 s and

240 min

Light sensor: adjustable value range from

darkness to daylight

Fixed hysteresis for suppression of rapid

brightness fluctuations

Transmission frequency range:

2400 - 2483,5 MHz

Maximum transmission output: 10 mW

Luminaire switchable via relay output (on/off)

Relay contact with a switching capacity of

Relay contact with a switching capacity of

2300 W · 10 A

Please note the starting current of the switching

loads – max. 100 A

Ambient temperature: -25°C to +55°C

LED power supply unit

Starting current: 20 A (80 μ s)

220-240 V \sim 50-60 Hz

Safety class I

Protection class IP 65

Dust-tight and protection against water jets

Impact strength IK04

Protection against mechanical

impacts < 0.5 joule

CE – Conformity mark

Weight: 7.0 kg

Lamp

Module connected wattage 8.2 W

Luminaire connected wattage 10.4 W

Rated temperature $t_a = 25$ °C

Ambient temperature $t_{a \max} = 50$ °C

84 434 K3

Module designation LED-0292/830

Colour temperature 3000 K

Colour rendering index CRI > 80

Module luminous flux 1125 lm

Luminaire luminous flux 352 lm

Luminaire luminous efficiency 33,8 lm/W

84 434 K4

Module designation LED-0292/840

Colour temperature 4000 K

Colour rendering index CRI > 80

Module luminous flux 1125 lm

Luminaire luminous flux 352 lm

Luminaire luminous efficiency 33,8 lm/W

Service life · Ambient temperature

Rated temperature $t_a = 25$ °C

LED psu: > 50,000 h

LED module: > 200,000 h (L 80 B 50)

100,000 h (L 90 B 50)

Ambient temperature $t_{a \max} = 50$ °C (100 %)

LED psu: 50,000 h

LED module: 77,000 h (L 80 B 50)

100,000 h (L 70 B 50)

Article No. 84 434

LED colour temperature optionally 3000 K

or 4000 K

3000 K – Article number + **K3**

4000 K – Article number + **K4**

Colour graphite or silver

graphite – article number

silver – article number + **A**

Light distribution

