

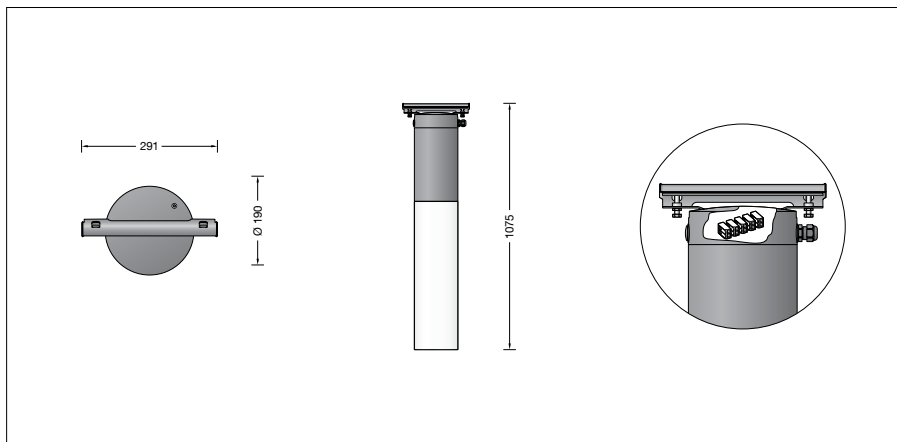
**BEGA****84 406**

Pendant luminaire for catenary systems



Project · Reference number

Date



## Product data sheet

**Product description**

Luminaire made of aluminium alloy,  
aluminium and stainless steel  
Synthetic diffuser, clear  
Silicone gasket  
Reflector made of pure anodised aluminium  
Cable hanger for tension cable  
of  $\varnothing$  5 mm to  $\varnothing$  12 mm  
with suspending bracket and cable clamp.  
Thrust screws M8 and lock nuts are made of  
stainless steel – grade No 1.4301  
Horizontal infinitely adjustable  $\pm 5^\circ$   
Vertical infinitely adjustable  $360^\circ$   
1 screw cable gland with strain relief  
for mains supply cable from  $\varnothing$  10 - 14 mm,  
max.  $5 \times 2,5$ <sup>□</sup>  
1 PG 16 dummy screw gland  
LED power supply unit  
220-240 V  $\sim$  0/50-60 Hz  
DC 176-264 V  
During DC operation the LED power  
is reduced to 50 %  
Dimmable 1-10 V  
A basic isolation exists between power cable  
and control line  
Luminaire: Protection class IP 65  
Dust-tight and protection against water jets  
Safety class I  
Impact strength IK07  
Protection against mechanical  
impacts < 2 joule  
 – Safety mark  
 – Conformity mark  
Weight: 7.5 kg

**Application**

LED pendant with symmetrical broad spread  
light distribution for catenary systems.  
An integral reflector unit directs the light  
downwards in a rotationally symmetrical wide  
beam.  
Luminaire for good visual comfort in arcades,  
galleries and passageways.  
The cable hanger system of the luminaire is  
suitable for transverse suspension systems and  
longitudinal chain systems.

**Lamp**

Module connected wattage	35.7 W
Luminaire connected wattage	40 W
Rated temperature	$t_a = 25^\circ\text{C}$
Ambient temperature	$t_{a\text{max}} = 30^\circ\text{C}$

On request we can offer you modifications for  
environments with higher temperatures as a  
customized product.

**84 406 K4**

Module designation	LED-0770/830
Colour temperature	4000 K
Colour rendering index	CRI > 80
Module luminous flux	6540 lm
Luminaire luminous flux	4629 lm
Luminaire luminous efficiency	115,7 lm/W

**84 406 K3**

Module designation	LED-0770/840
Colour temperature	3000 K
Colour rendering index	CRI > 80
Module luminous flux	6385 lm
Luminaire luminous flux	4519 lm
Luminaire luminous efficiency	113 lm/W

**Inrush current**

Inrush current: 5 A / 100  $\mu\text{s}$   
Maximum number of luminaires of this  
type per miniature circuit breaker:  
B 10A: 27 luminaires  
B 16A: 44 luminaires  
C 10A: 27 luminaires  
C 16A: 44 luminaires

**Light technique**

Luminaire data for the light planning program  
DIALux for outdoor lighting, street lighting and  
indoor lighting as well as luminaire data in  
EULUMDAT- and IES-format you will find on the  
BEGA web page [www.bega.com](http://www.bega.com).

**Service life of the LED**

Ambient temperature  $t_a = 25^\circ\text{C}$   
– at 409,000 h: L70B50

max. ambient temperature  $t_a = 30^\circ\text{C}$   
– at 298,000 h: L70B50

**Article No. 84 406**

LED colour temperature optionally 4000K  
or 3000K  
4000 K – Article number + **K4**  
3000 K – Article number + **K3**

**Light distribution**