

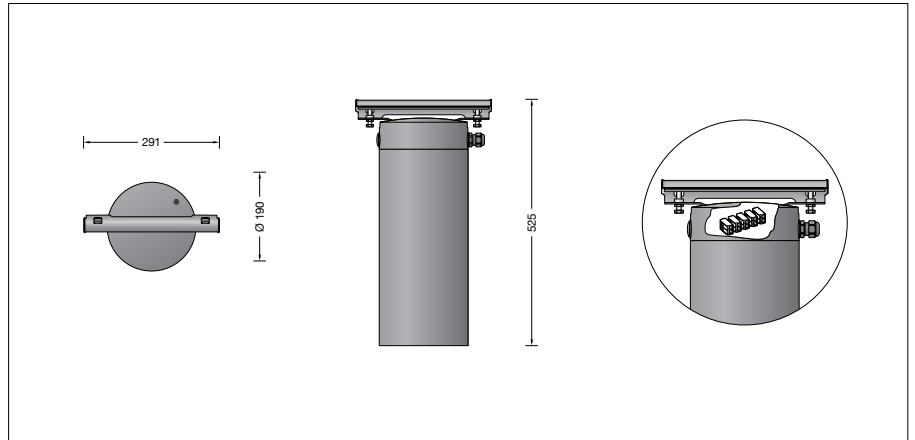
**BEGA****84 405**

Pendant luminaire for catenary systems



Project · Reference number

Date



## Product data sheet

### Product description

Luminaire made of aluminium alloy, aluminium and stainless steel  
 Safety glass with optical structure  
 Silicone gasket  
 Reflector made of pure anodised aluminium  
 Cable hanger for tension cable of  $\varnothing$  5 mm to  $\varnothing$  12 mm with suspending bracket and cable clamp.  
 Thrust screws M8 and lock nuts are made of stainless steel – grade No 1.4301  
 Horizontal infinitely adjustable  $\pm 5^\circ$   
 Vertical infinitely adjustable  $360^\circ$   
 1 screw cable gland with strain relief for mains supply cable from  $\varnothing$  10 - 14 mm, max.  $5 \times 2,5$ <sup>□</sup>  
 1 PG 16 dummy screw gland  
 LED power supply unit  
 220-240 V  $\sim$  0/50-60 Hz  
 DC 176-264 V  
 During DC operation the LED power is reduced to 50 %  
 DALI controllable  
 A basic isolation exists between power cable and control line  
 Safety class I  
 Protection class IP 65  
 Dust-tight and protection against water jets  
 Impact strength IK06  
 Protection against mechanical impacts < 1 joule  
 – Safety mark  
 – Conformity mark  
 Weight: 6.7 kg

### Application

LED pendant with shielded light for catenary systems.  
 An integral reflector unit directs the light downwards in a rotationally symmetrical wide beam.  
 Luminaire for good visual comfort in arcades, galleries and passageways.  
 The cable hanger system of the luminaire is suitable for transverse suspension systems and longitudinal chain systems.

### Lamp

Module connected wattage	35.3 W
Luminaire connected wattage	39.2 W
Rated temperature	$t_a = 25^\circ\text{C}$
Ambient temperature	$t_{a \text{ max}} = 30^\circ\text{C}$

### 84 405 K4

Module designation	LED-0770/840
Colour temperature	4000 K
Colour rendering index	CRI > 80
Module luminous flux	6865 lm
Luminaire luminous flux	4416 lm
Luminaire luminous efficiency	112,7 lm/W

### 84 405 K3

Module designation	LED-0770/830
Colour temperature	3000 K
Colour rendering index	CRI > 80
Module luminous flux	6675 lm
Luminaire luminous flux	4294 lm
Luminaire luminous efficiency	109,5 lm/W

### Inrush current

Inrush current: 5 A / 100  $\mu\text{s}$   
 Maximum number of luminaires of this type per miniature circuit breaker:  
 B 10A: 27 luminaires  
 B 16A: 44 luminaires  
 C 10A: 27 luminaires  
 C 16A: 44 luminaires

### Light technique

Luminaire data for the light planning program DIALux for outdoor lighting, street lighting and indoor lighting as well as luminaire data in EULUMDAT- and IES-format you will find on the BEGA web page [www.bega.com](http://www.bega.com).

### Service life of the LED

Ambient temperature  $t_a = 25^\circ\text{C}$   
 – at 401,000 h: L70B50

max. ambient temperature  $t_a = 30^\circ\text{C}$   
 – at 293,000 h: L70B50

Ambient temperature  $t_{a \text{ max}} = 50^\circ\text{C}$  (60 %)  
 LED psu: 50,000 h  
 LED module: 50,000 h

BEGA Thermal Control® protects temperature-sensitive luminaire components by temporarily limiting the nominal power at high temperatures.

### Article No. 84 405

LED colour temperature optionally 4000K or 3000K  
 4000 K – Article number + **K4**  
 3000 K – Article number + **K3**

### Light distribution

